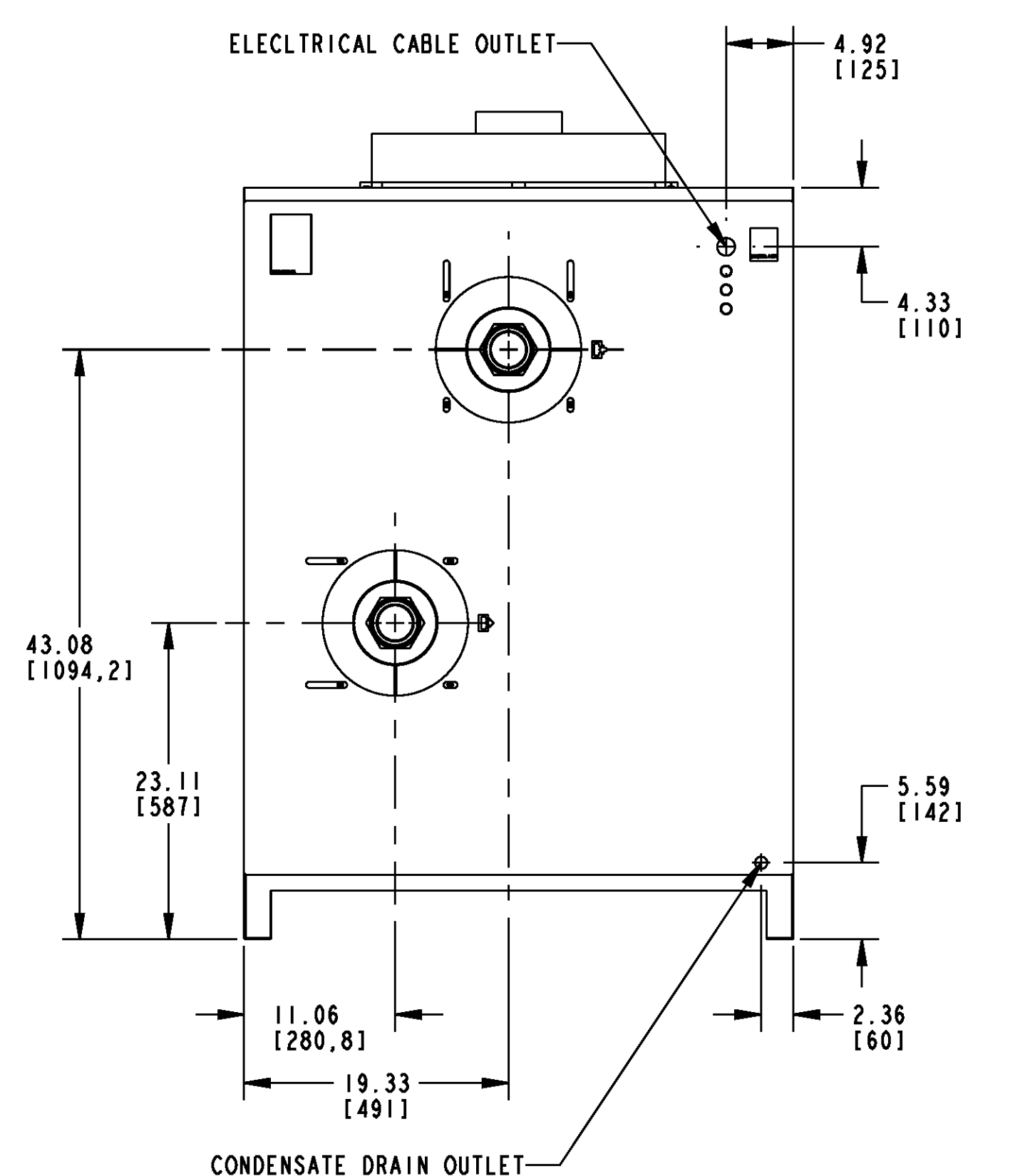
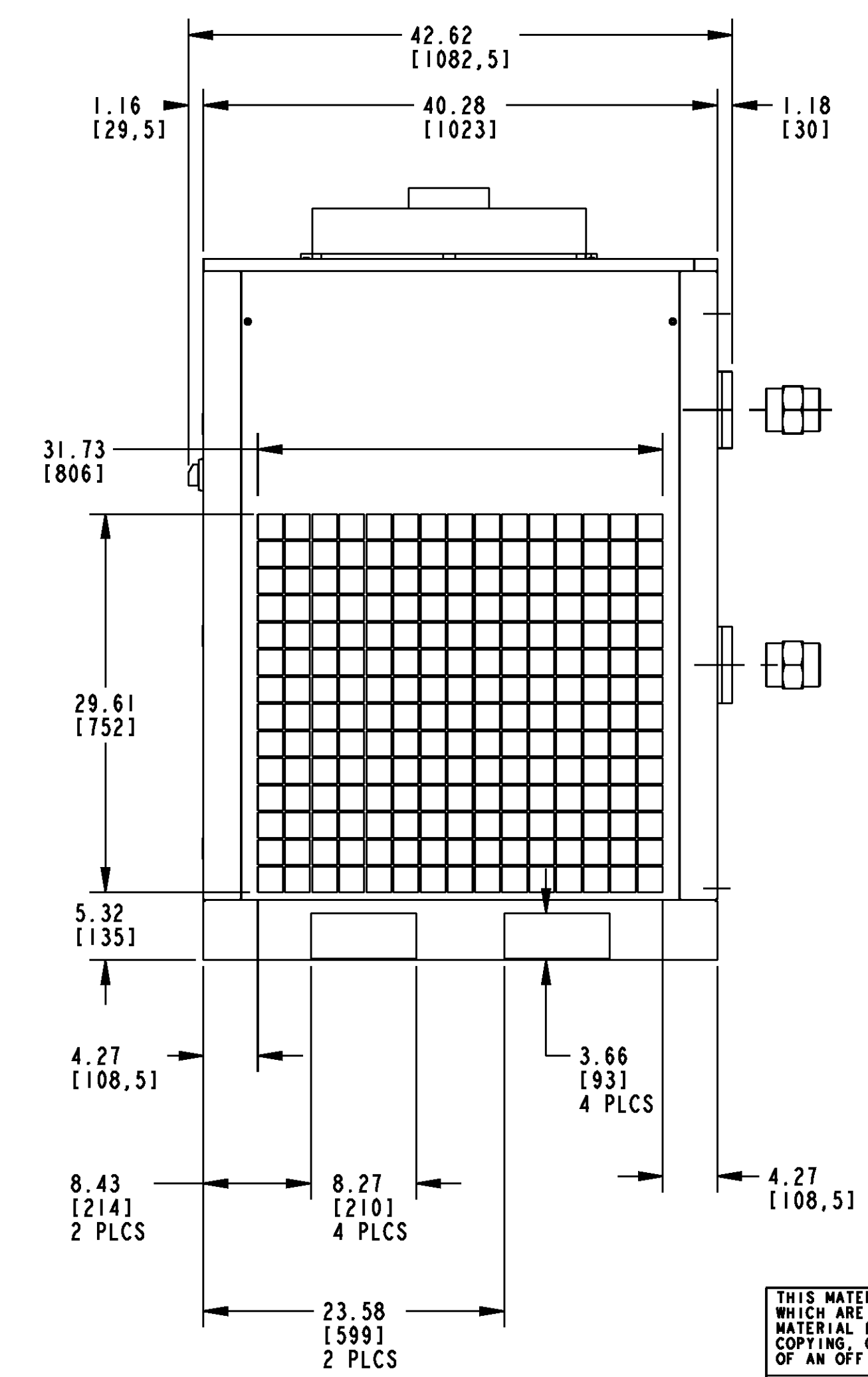
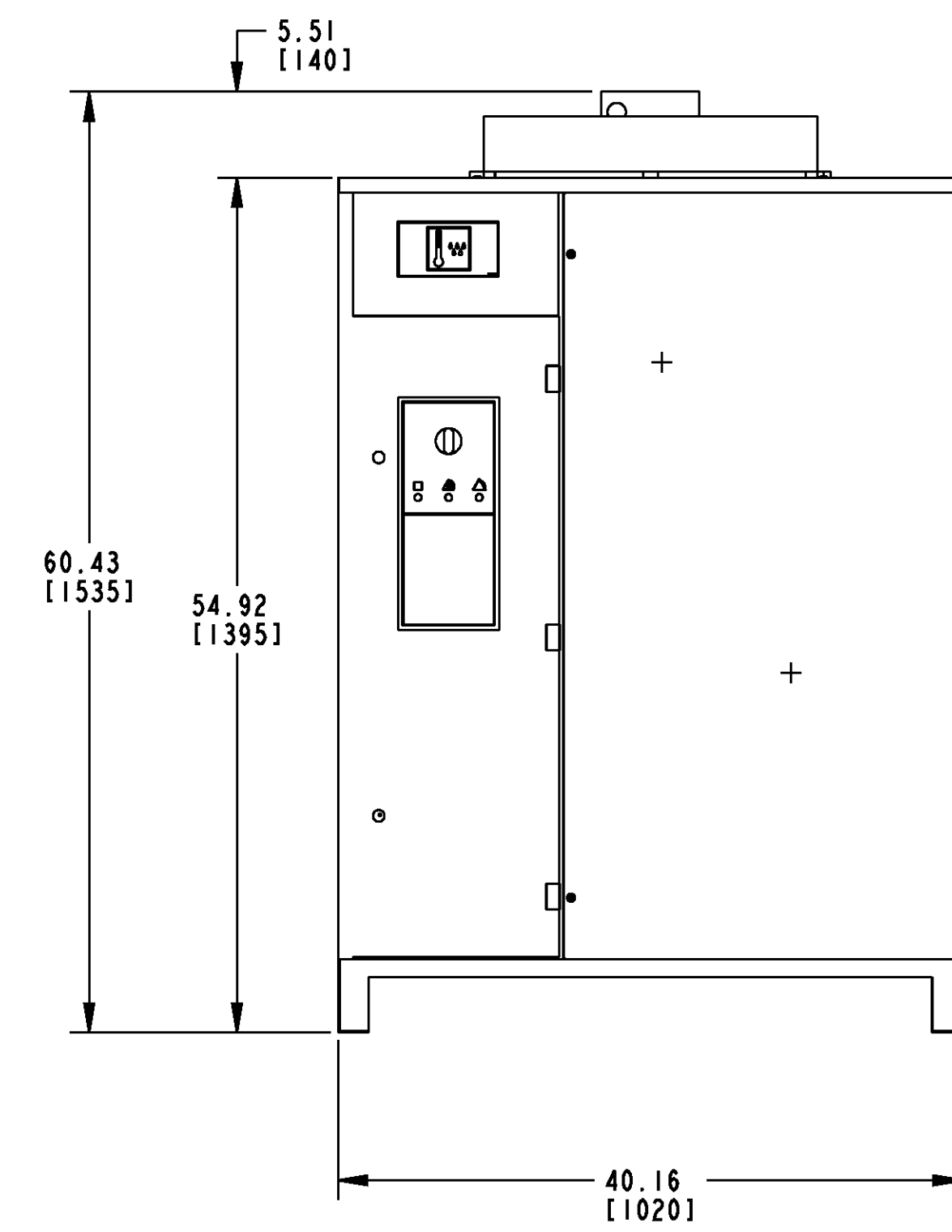
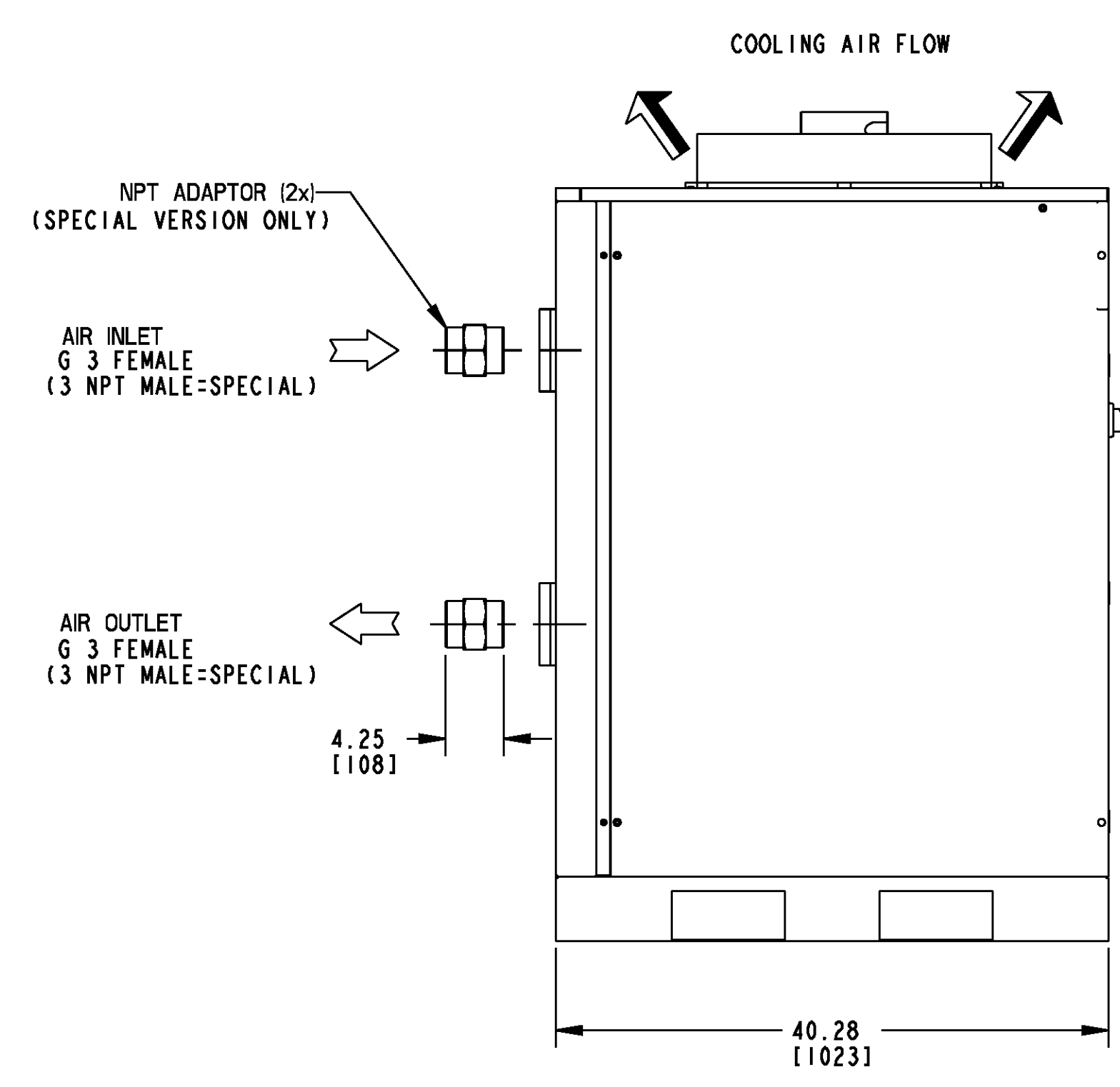
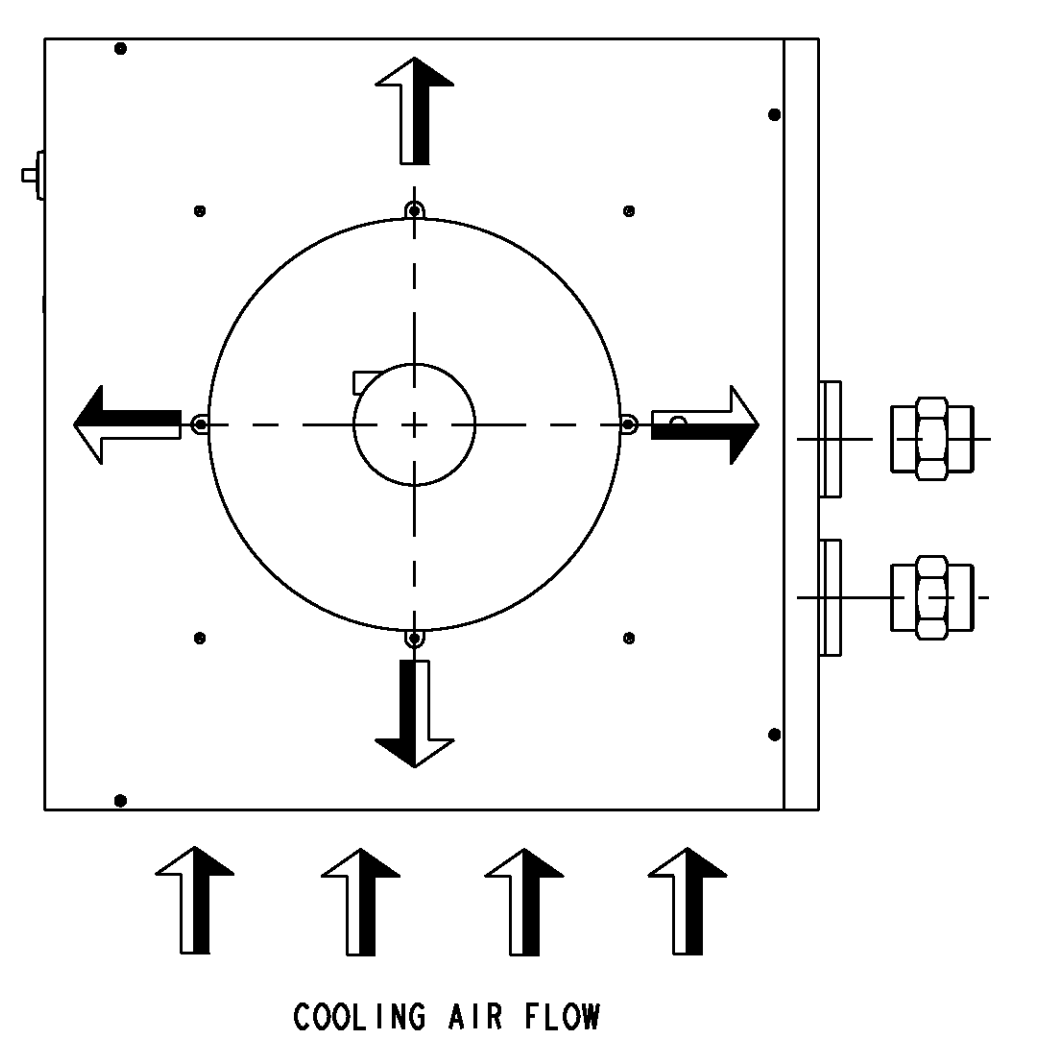
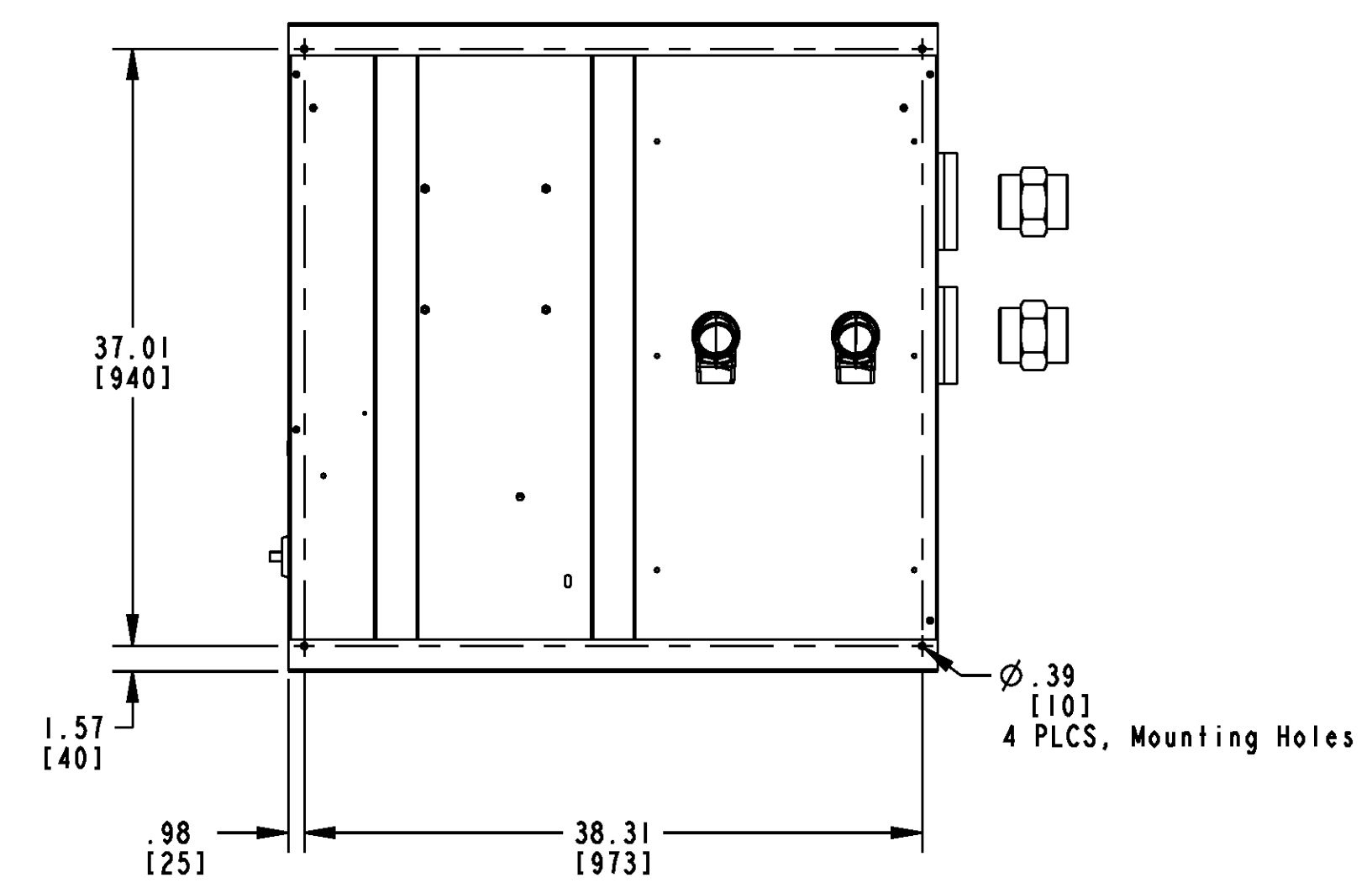


BOTTOM VIEW



CHANGES TO THIS DRAWING ARE TO BE APPROVED BY THE BMA ENGINEERING DEPARTMENT

REVISIONS					
ZONE	SYM	DESCRIPTION	ECN NO	DATE	APPD
A		RELEASE FOR PRODUCTION		08/12	

THIS MATERIAL IS CONFIDENTIAL AND CONTAINS PROPRIETARY INFORMATION AND OTHER RIGHTS WHICH ARE THE SOLE AND EXCLUSIVE PROPERTY OF QUINCY COMPRESSOR. POSSESSION OF THIS MATERIAL DOES NOT CONVEY OR TRANSFER ANY RIGHTS THERE TO AND ANY REPRODUCTION, USE, COPYING, OR DISCLOSURE TO OTHERS IS FORBIDDEN WITHOUT THE PRIOR WRITTEN CONSENT OF AN OFFICER OF QUINCY COMPRESSOR.

DO NOT SCALE PRINT	THIRD ANGLE PROJECTION	UNLESS OTHERWISE SPECIFIED TOLERANCE ON ANGLES ± 0.5 TOLERANCE ON TWO PLACE DIM'S ± 0.01 TOLERANCE ON THREE PLACE DIM'S ± 0.001 FINISH ON MACHINED SURFACES ✓	NAME DR PT CK DP APPD	DATE 08/12 08/12
FIRST USED ON QPNC	MATL. NOT APPLICABLE	FINISH NOT APPLICABLE	FILE DATE 08/21/12	TITLE QPNC 750-1600
			APPD. BY	SIZE D
			SCALE 0.100	WT. 1.01
			LBS	SHEET 1 OF 1

Quincy Compressor
701 N. Dobson Avenue
Boy Minette, Alabama 36507

THIS DRAWING MAINTAINED IN PROVISIONER