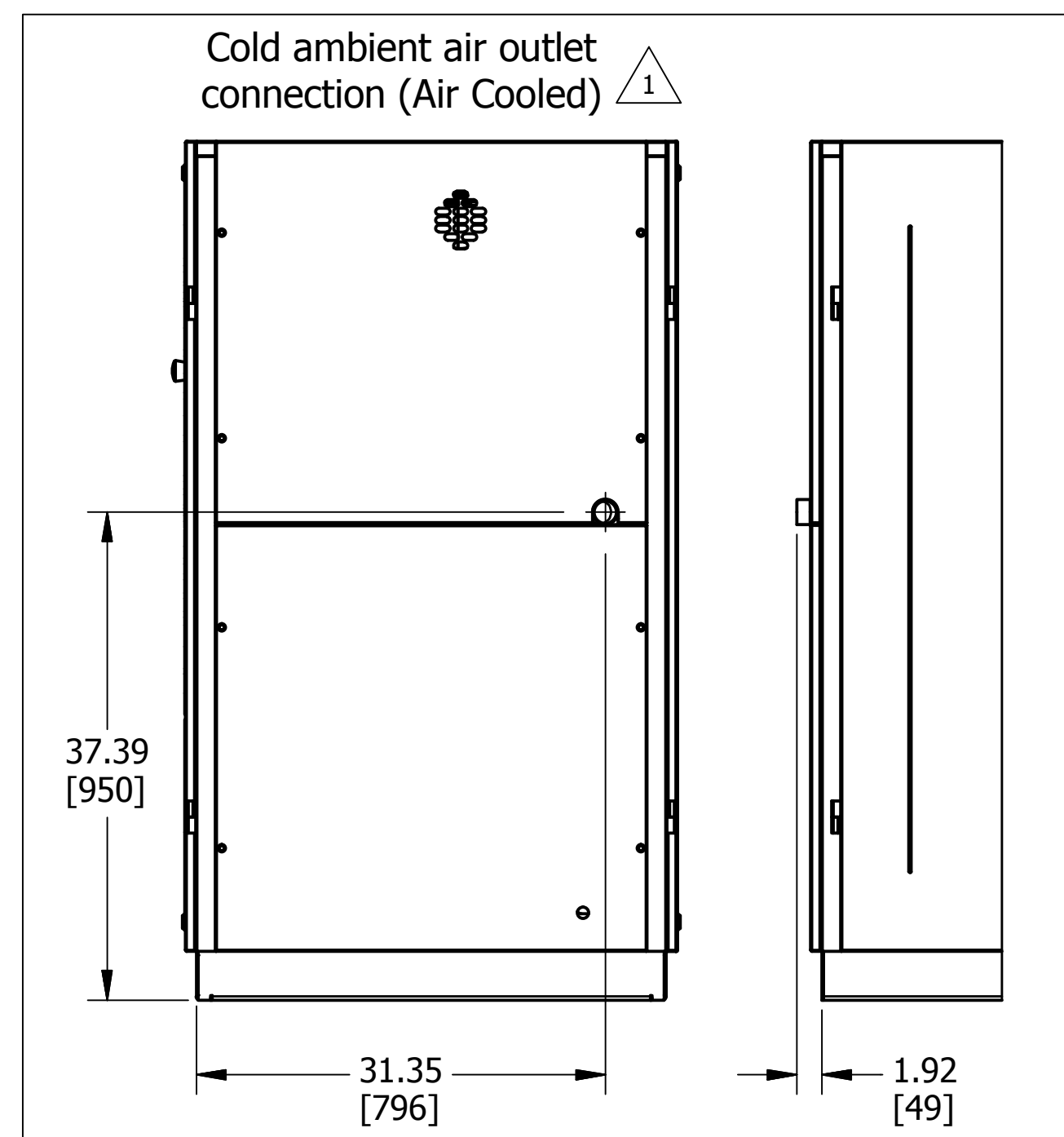
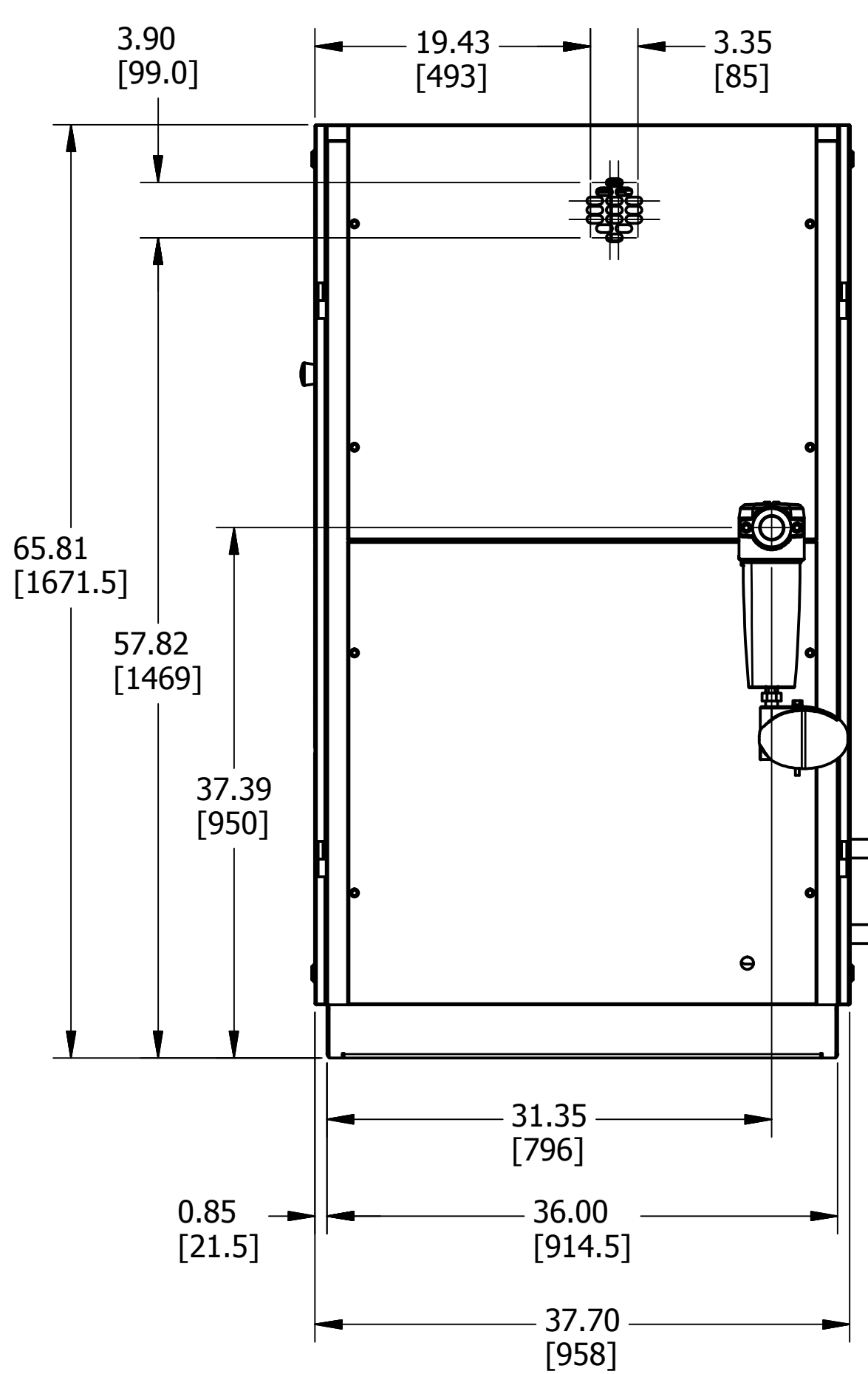


All materials supplied are in compliance with the requirements of the US or Prohibited Substances.
 This document is for your reference only and shall not be used without our permission. It is not to be reproduced, stored in a retrieval system, or transmitted in any form or by any means, electronic, mechanical, photocopying, recording, or by any information storage and retrieval system, without the prior written permission of Quincy Compressor.

Ed	Position	Description	Date	Intr./Appd.
00.00		See Note "A"	29-05-18	

NOTE "A"
 1) CONDENSATE DRAIN ADDED IN ASSEMBLY.
 2) WATER COOLED & COLD AMBIENT OPTION DETAILS ADDED
 3) SHEET 2 ADDED FOR INTERNAL PARTS LOCATION.



WATERCOOLED UNITS

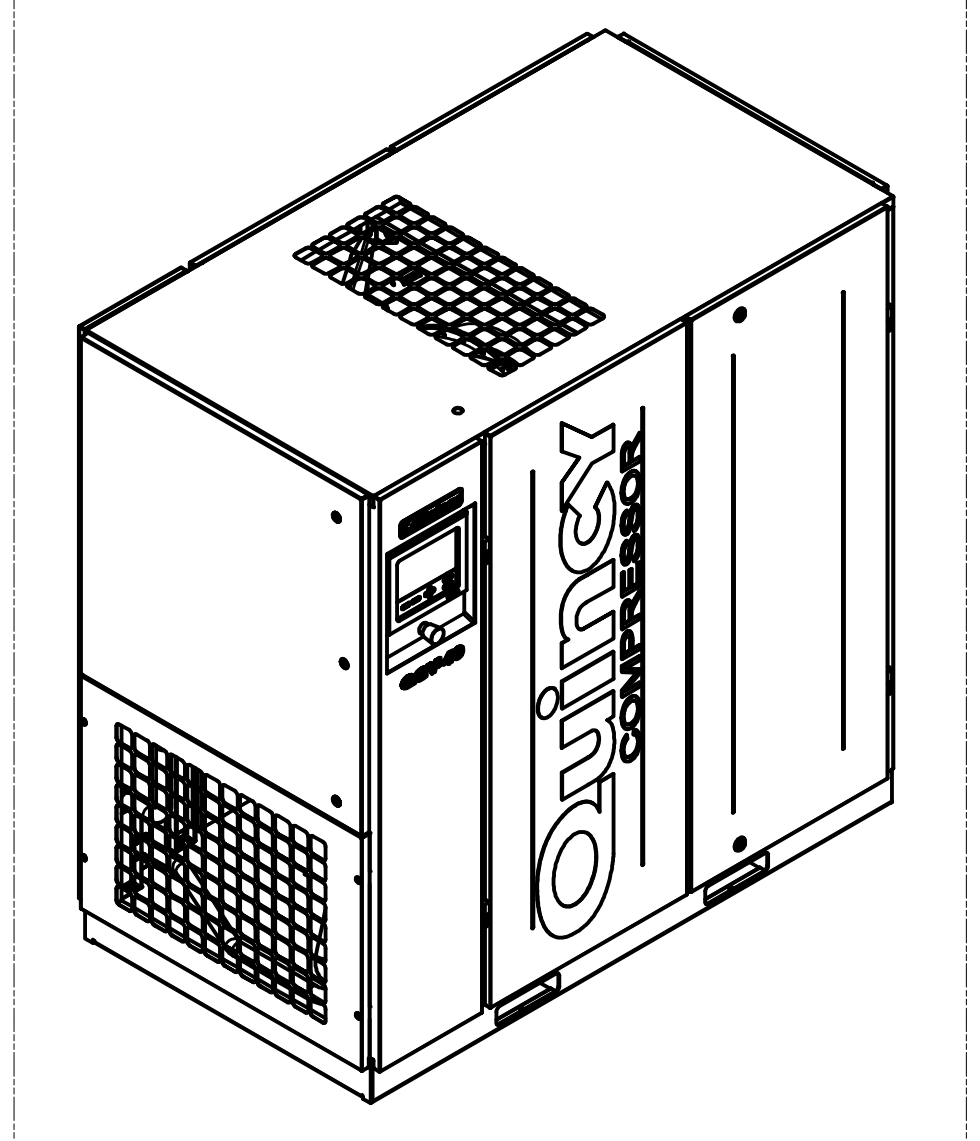
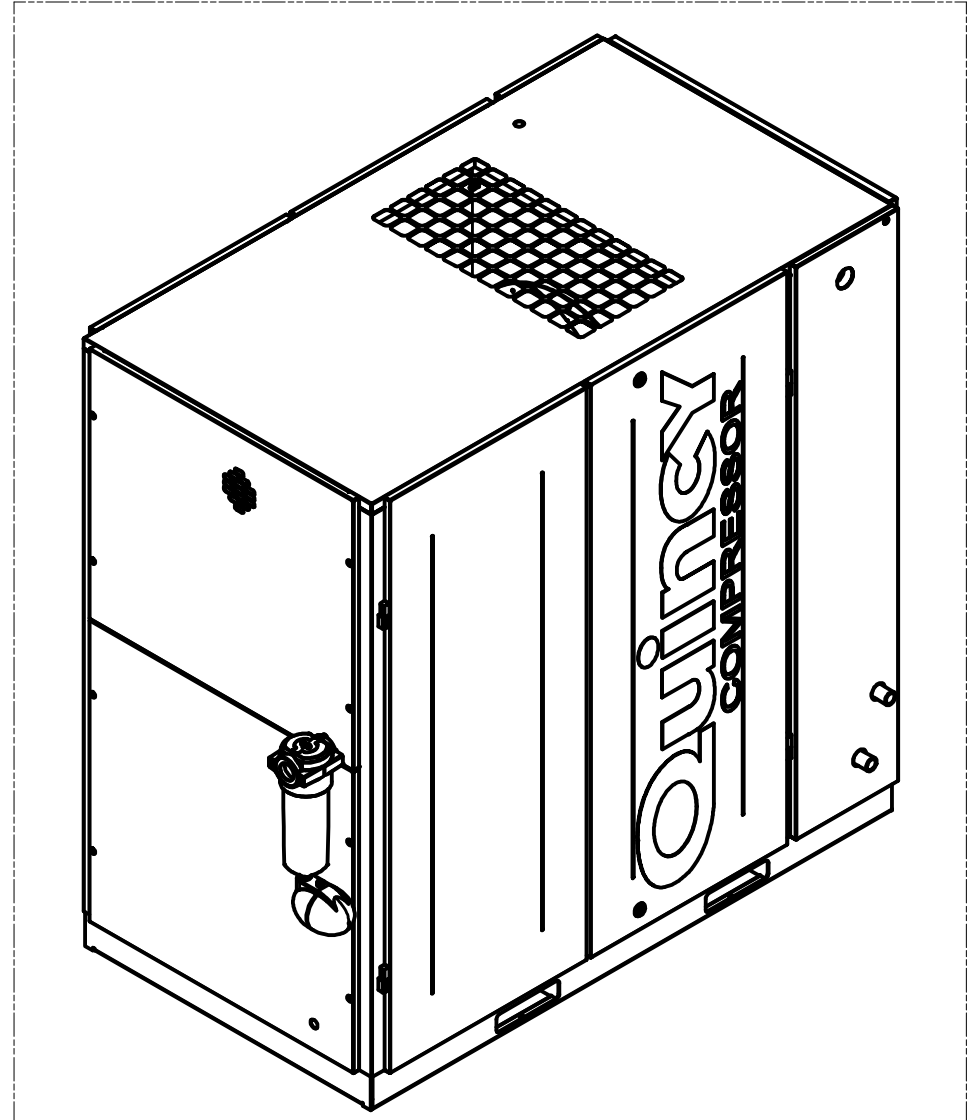
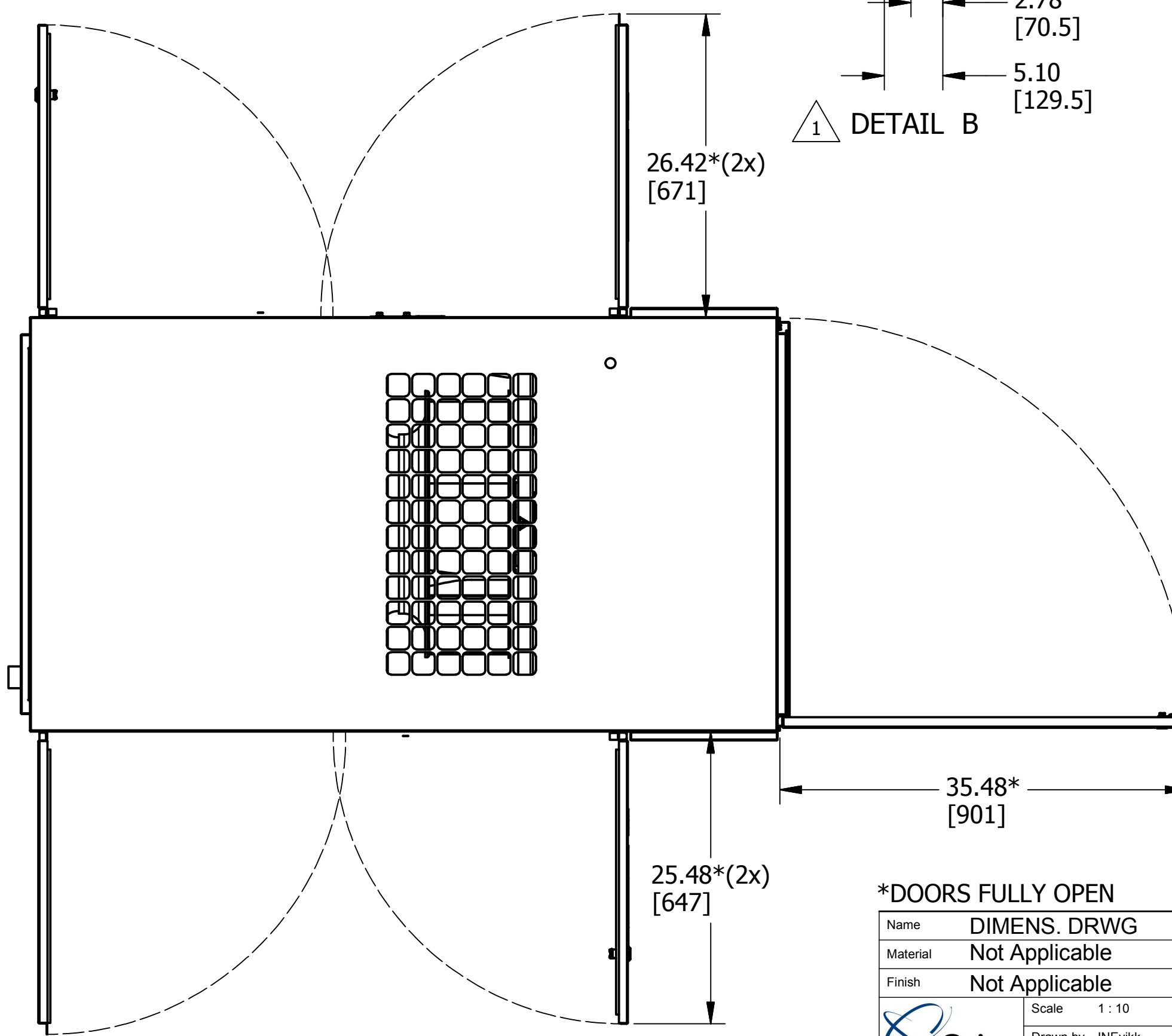
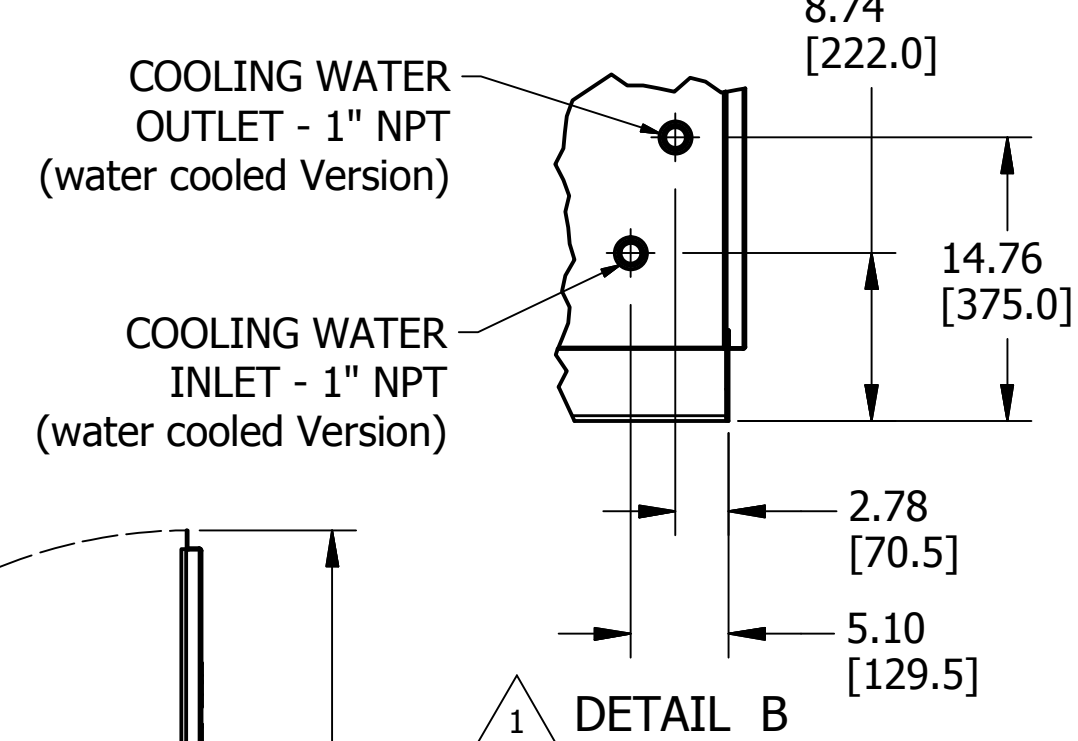
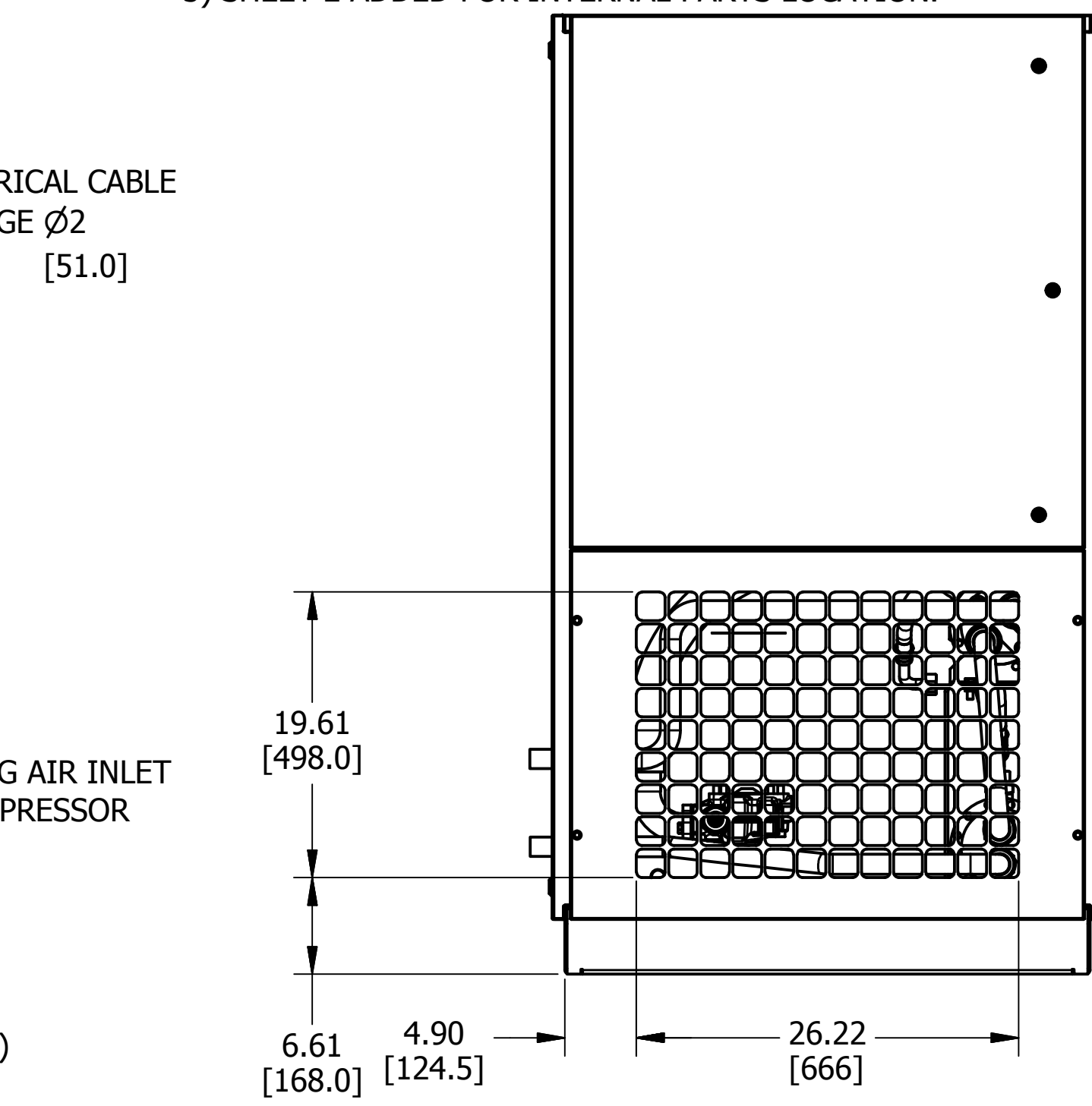
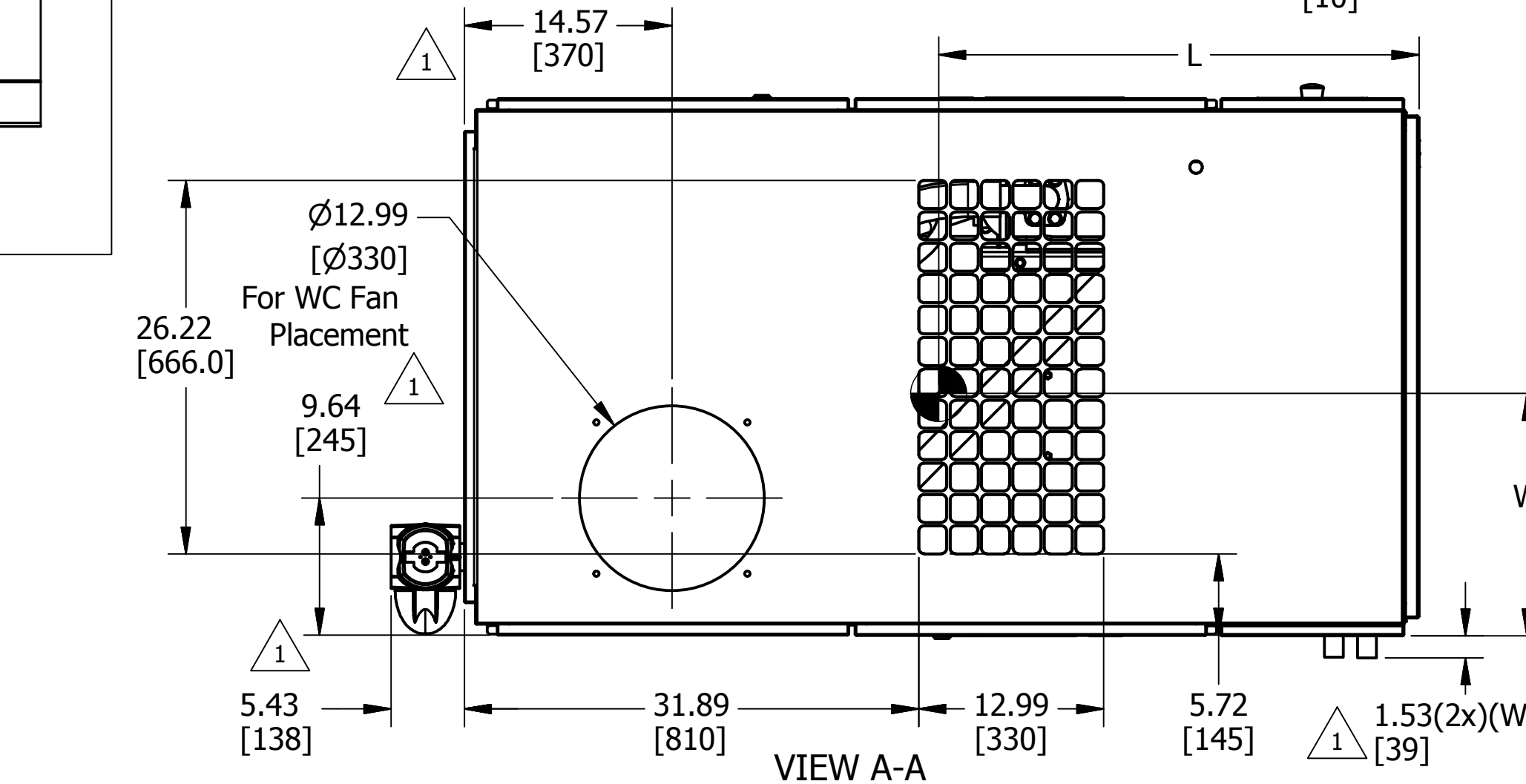
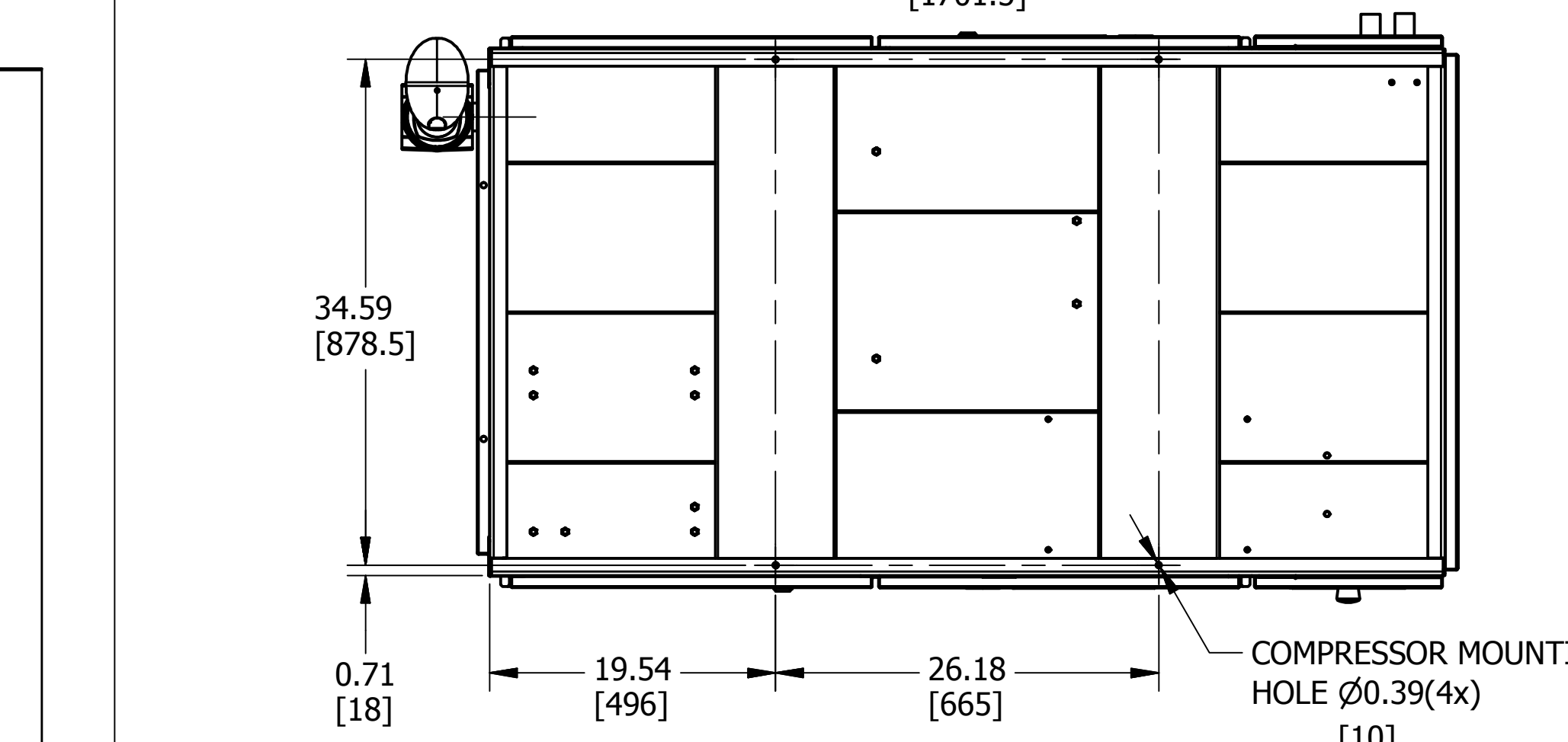
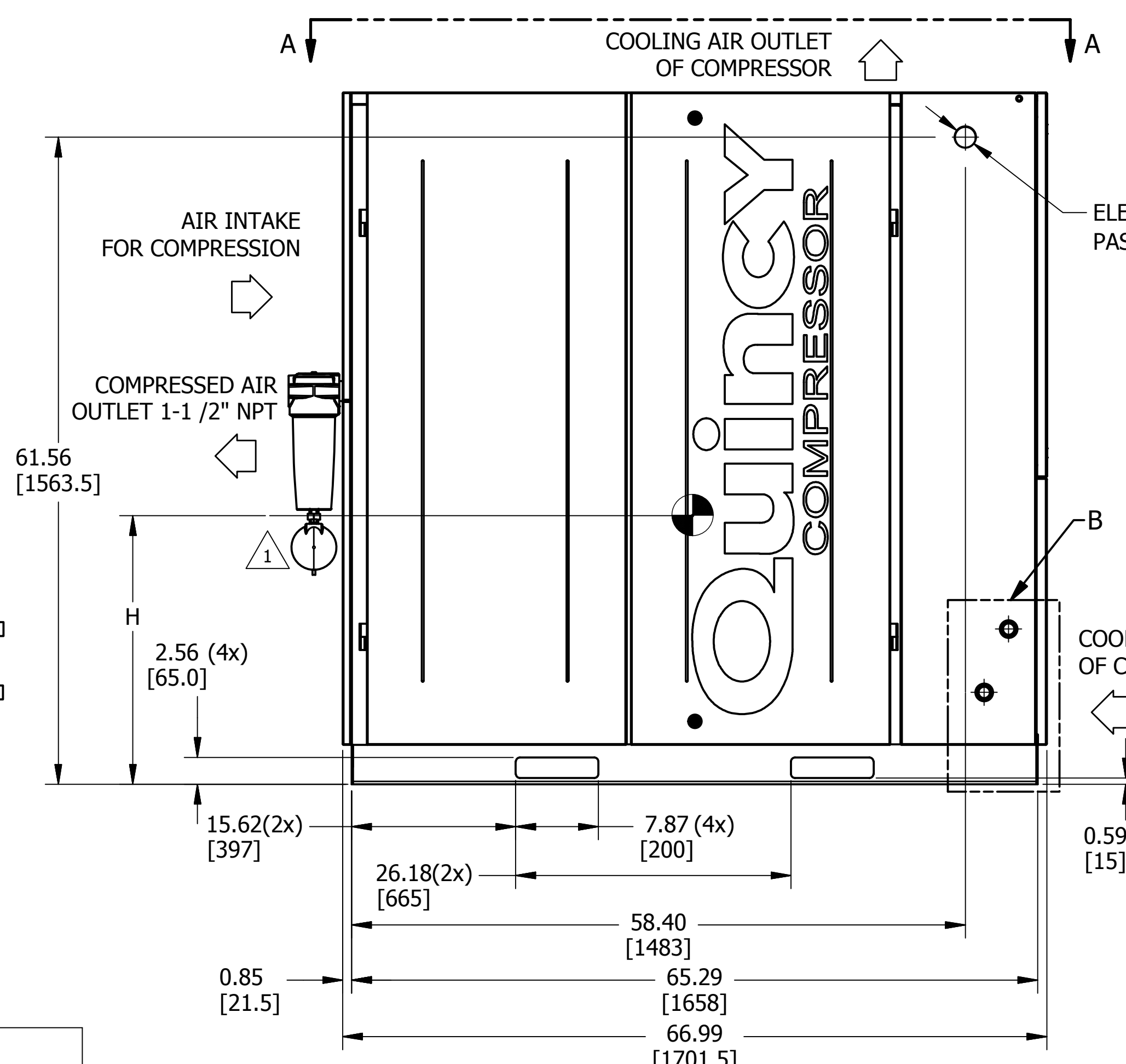
CENTER OF GRAVITY				
TYPE	L	H	W	MASS
QSI 50	872	656	443	1006
QSI 60	871	660	444	1014
QGV 40-60	869	650	443	1033

Dimensions in mm : +/- 50 mm &
 Mass in Kg : +/- 50 Kg

WATERCOOLED UNITS

CENTER OF GRAVITY				
TYPE	L	H	W	MASS
QSI 50	34.33	25.82	17.44	2217
QSI 60	34.29	25.98	17.48	2235.5
QGV 40-60	34.2	25.6	17.44	2277

Dimensions in Inch : +/- 2 Inch &
 Mass in Lbs : +/- 110 Lbs



AIRCOOLED UNITS

CENTER OF GRAVITY				
TYPE	L	H	W	MASS
QSI 50	872	656	443	1006
QSI 60	871	660	444	1014
QGV 40-60	869	650	443	1033

Dimensions in mm : +/- 50 mm &
 Mass in Kg : +/- 50 Kg

AIRCOOLED UNITS

CENTER OF GRAVITY				
TYPE	L	H	W	MASS
QSI 50	34.33	25.82	17.44	2217
QSI 60	34.29	25.98	17.48	2235.5
QGV 40-60	34.2	25.6	17.44	2277

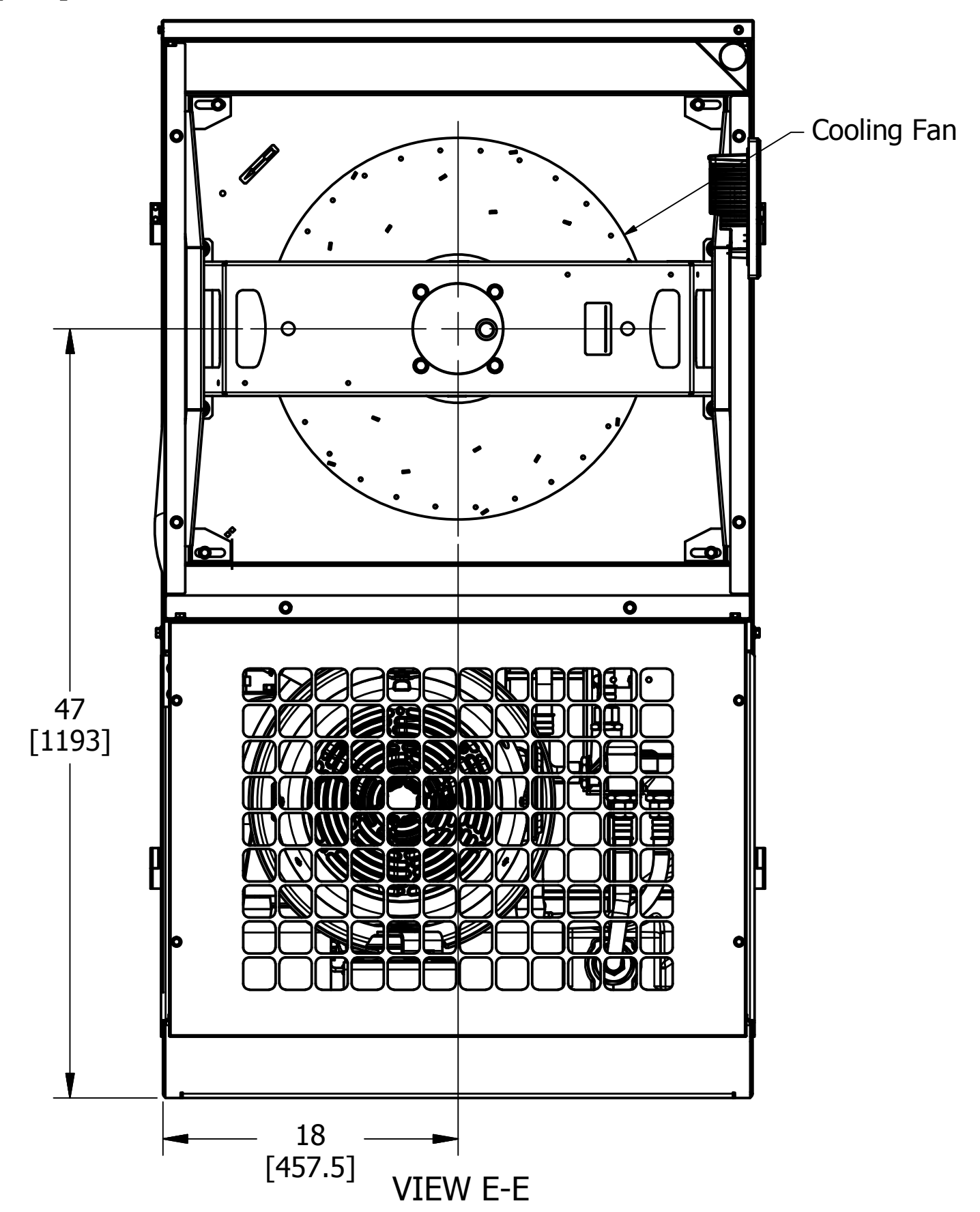
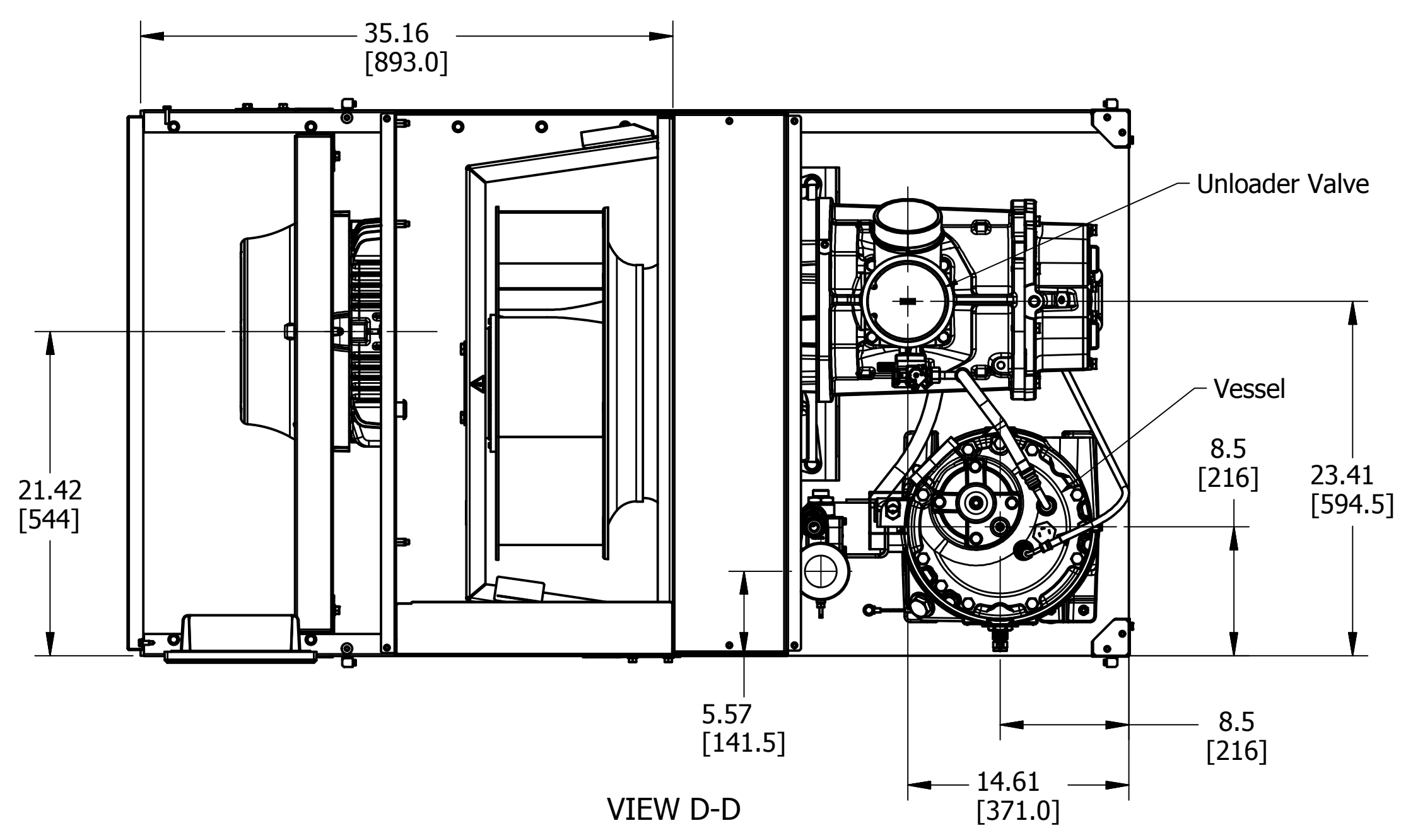
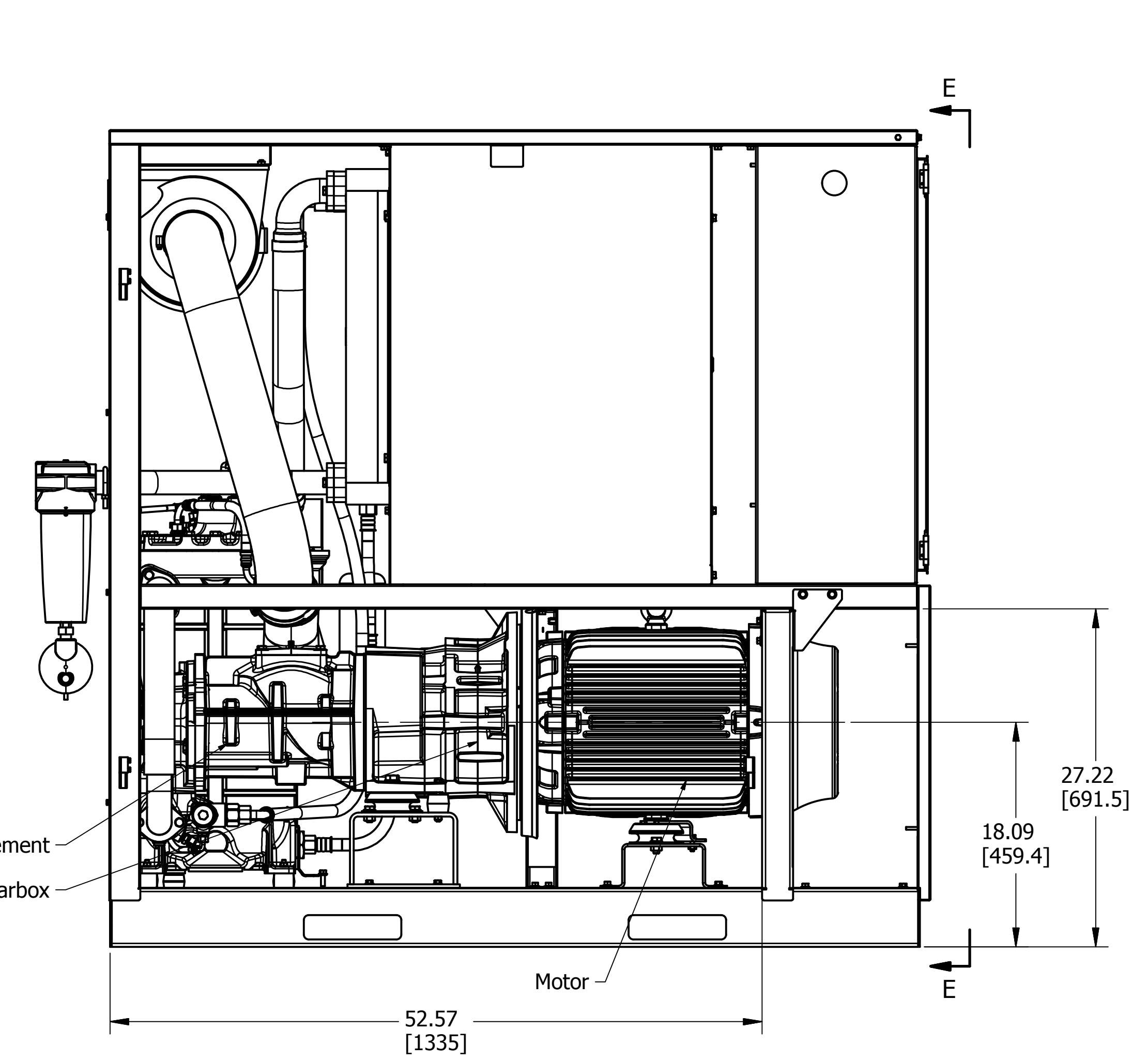
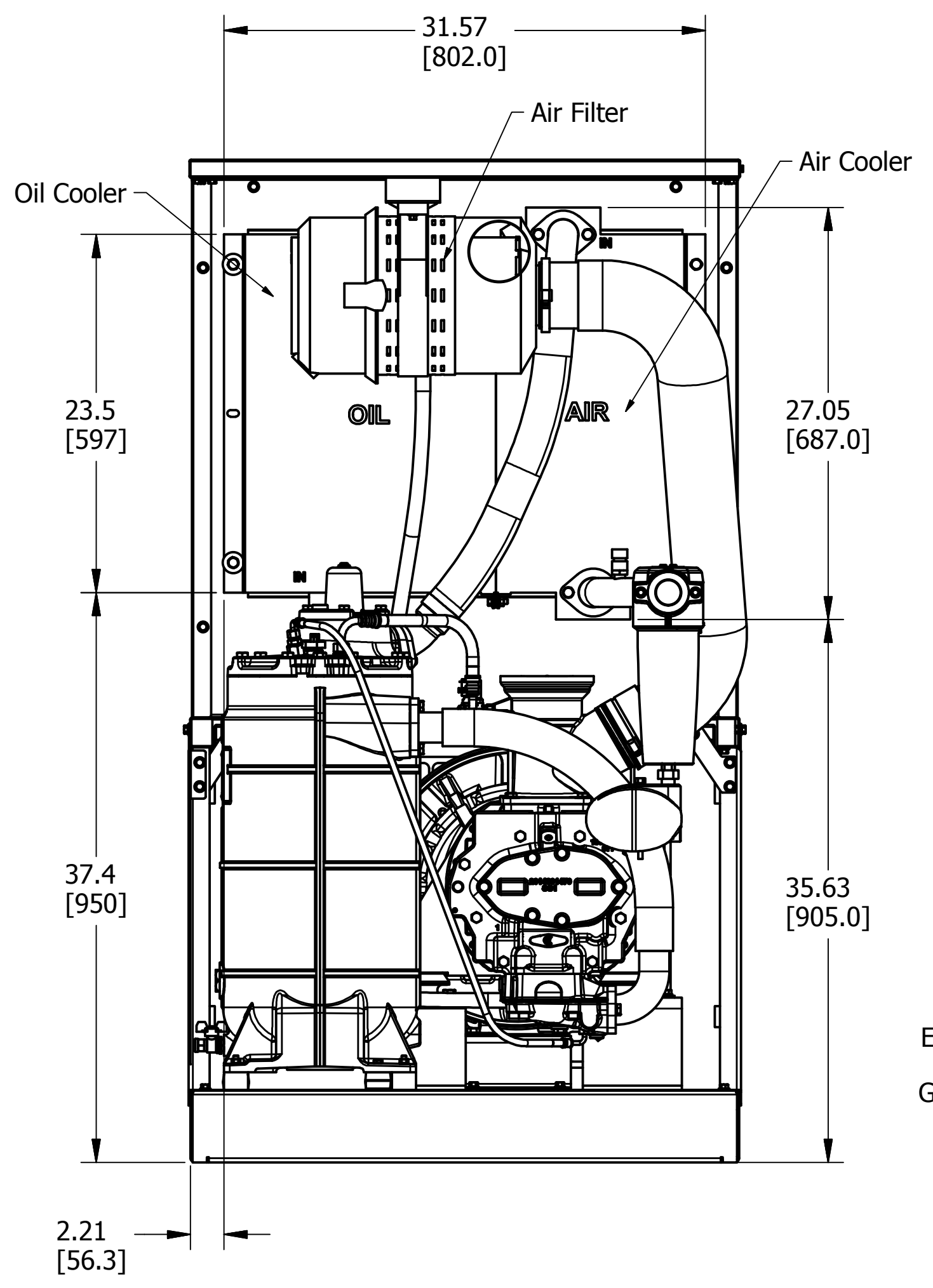
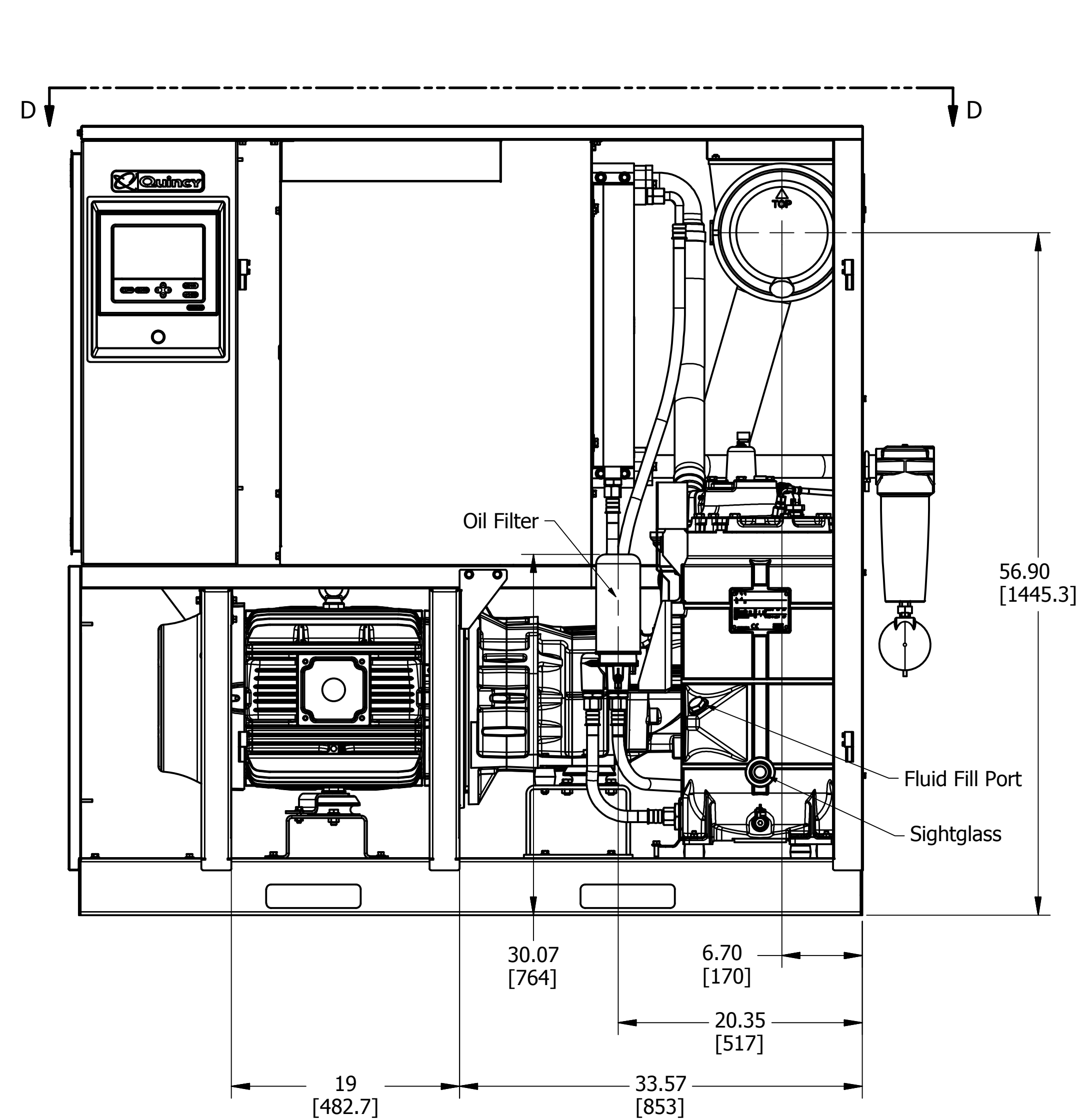
Dimensions in Inch : +/- 2 Inch &
 Mass in Lbs : +/- 110 Lbs



***DOORS FULLY OPEN**

Name	DIMENS. DRWG			Confidentiality Class	Internal
Material	Not Applicable			Internal	INV
Finish	Not Applicable			Internal	INV
Scale	1:10	Family	QSI/QGV 40-60	Similar to	
Drawn by	INEVikk	Make From		Replaces	
Status	Version Drwg	Blank wt	lb	Fin wt	0 lb
Parent 3D model	Ed. Version 3D	Des checked.	Prod checked.	Approved.	Date 29-06-2016
					Sheet 1 / 2
					2012000351

Ed	Position	Description	Date	Intr./Appd.
00.00		See Note "A"	29-05-18	



Name	DIMENS. DRWG			Confidentiality Class	Internal
Material	Not Applicable			Internal	
Finish	Not Applicable			INV	
Scale	1:10	Family	QSI/IGV 40-60	Similar to	
Drawn by	INEVikk	Make From		Replaces	
Version Drwg		Blank wt		Designation	
Des checked.		Prod checked.		Date	29-06-2016
Parent 3D model	Ed. Version 3D	Preliminary		Sheet	2 / 2
					2012000351

CONFIDENTIAL: This document is the property of Quincy and shall not be distributed, copied, or used for manufacturing or commercial purposes without the permission of Quincy.