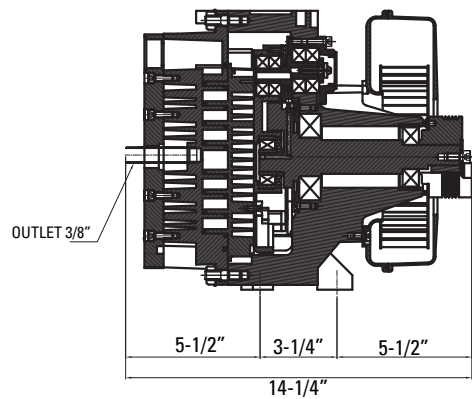
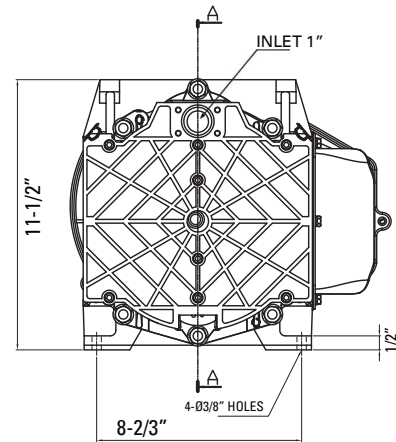


Compressor World offers the discerning OEM a reliable, cost effective solution to your oil-less compressed air needs. Our innovative products offer clean, compressed air solutions demanded in the market place.

Features and Benefits

- ⦿ Oil-less, scroll, compressor design
- ⦿ 3 and 5 HP available
- ⦿ 115 or 140 maximum psi options
- ⦿ Aluminum compressor body
- ⦿ Re-greasable bearings
- ⦿ Special, internal coating for excellent durability
- ⦿ Integral fan for maximum cooling
- ⦿ Continuous duty
- ⦿ Very low noise
- ⦿ Extremely low vibration
- ⦿ Compact for OEM applications
- ⦿ 10,000 hour bearing maintenance - 115 psi option (5,000 hour for 140 psi option)
- ⦿ 10,000 hour tip seal - 115 psi option (5,000 hour for 140 psi option)



Specifications

Model	HP	Outlet connection	Inlet connection	Max pressure	Weight (lbs)
OS5	3 & 5	3/8" Mnpt	1" Fnpt	115	45
OS5H	3 & 5	3/8" Mnpt	1" Fnpt	140	45