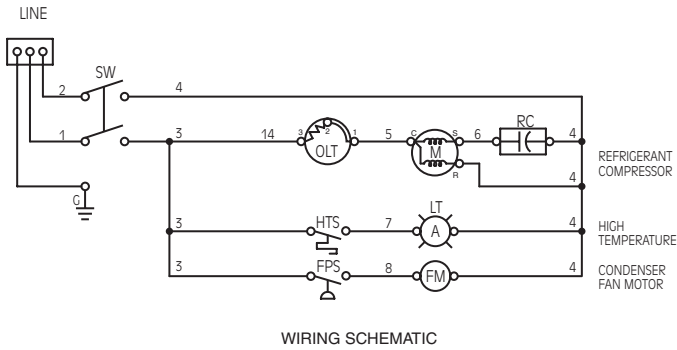
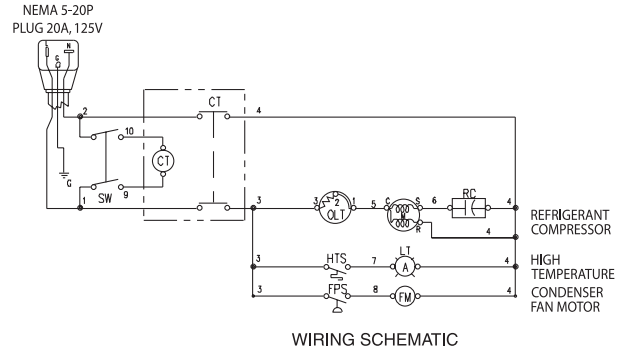


# ELECTRICAL SCHEMATICS

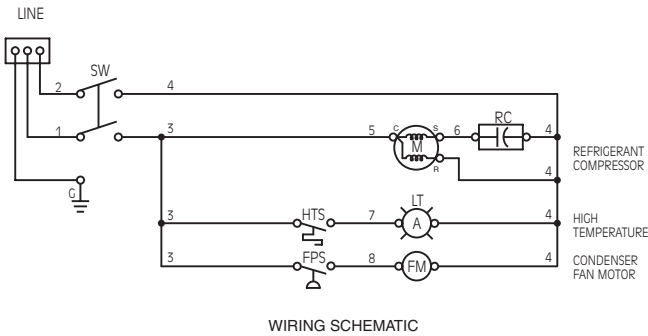
Models 20 thru 75 - All Voltages  
 Only Models 50 and 75 - 230-1-50/60



Only Models 50 and 75 - 115-1-50/60



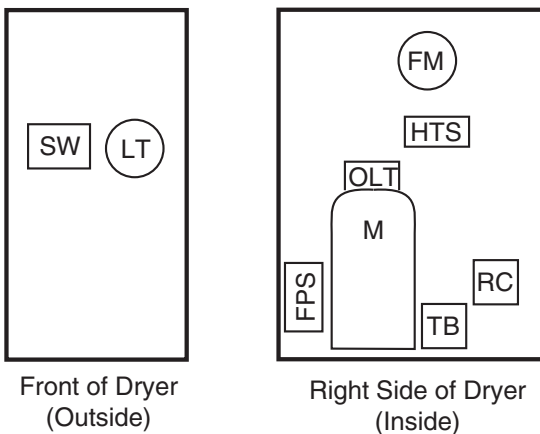
Models 100 and 125 - All Voltages



## LEGEND

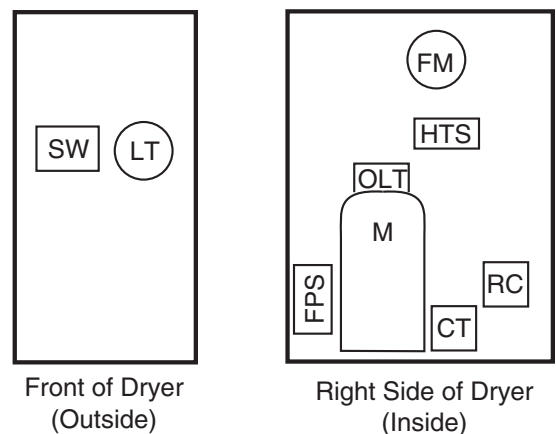
- SW - On/Off Switch
- OLT - Thermal Overload
- M - Compressor Motor
- RC - Run Capacitor
- HTS - High Temperature Switch
- LT - Fault Light
- FPS - Fan Pressure Switch
- FM - Fan Motor
- TB - Terminal Block
- CT - Contactor w/115V Coil

Models 20 thru 125 - All Voltages



COMPONENT LOCATIONS

Only Models 50 and 75 - 115-1-50/60



COMPONENT LOCATIONS