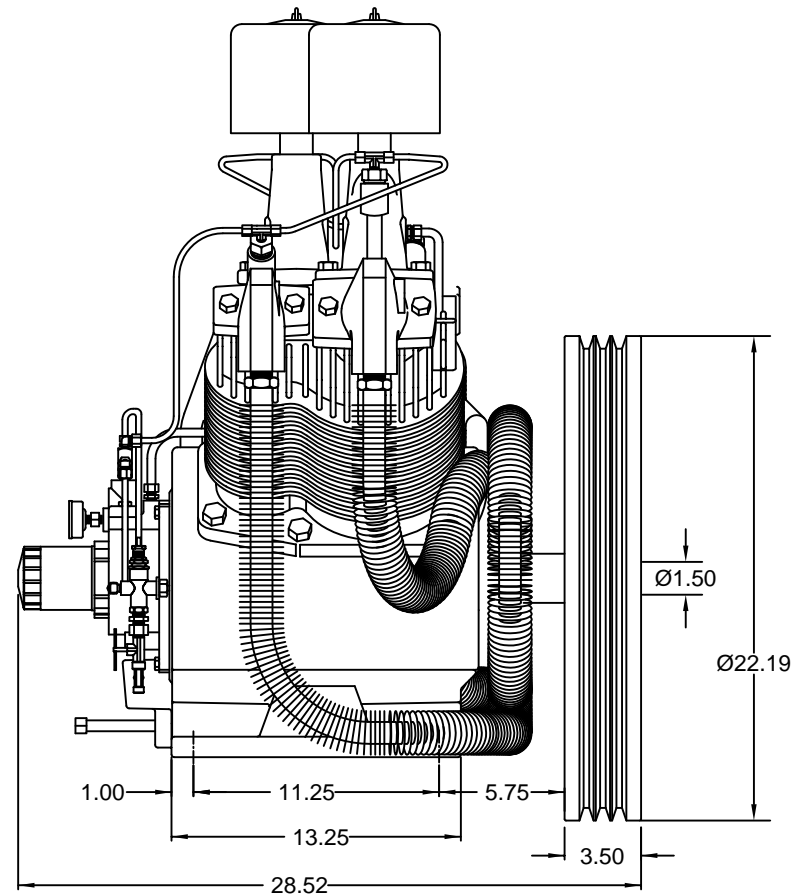
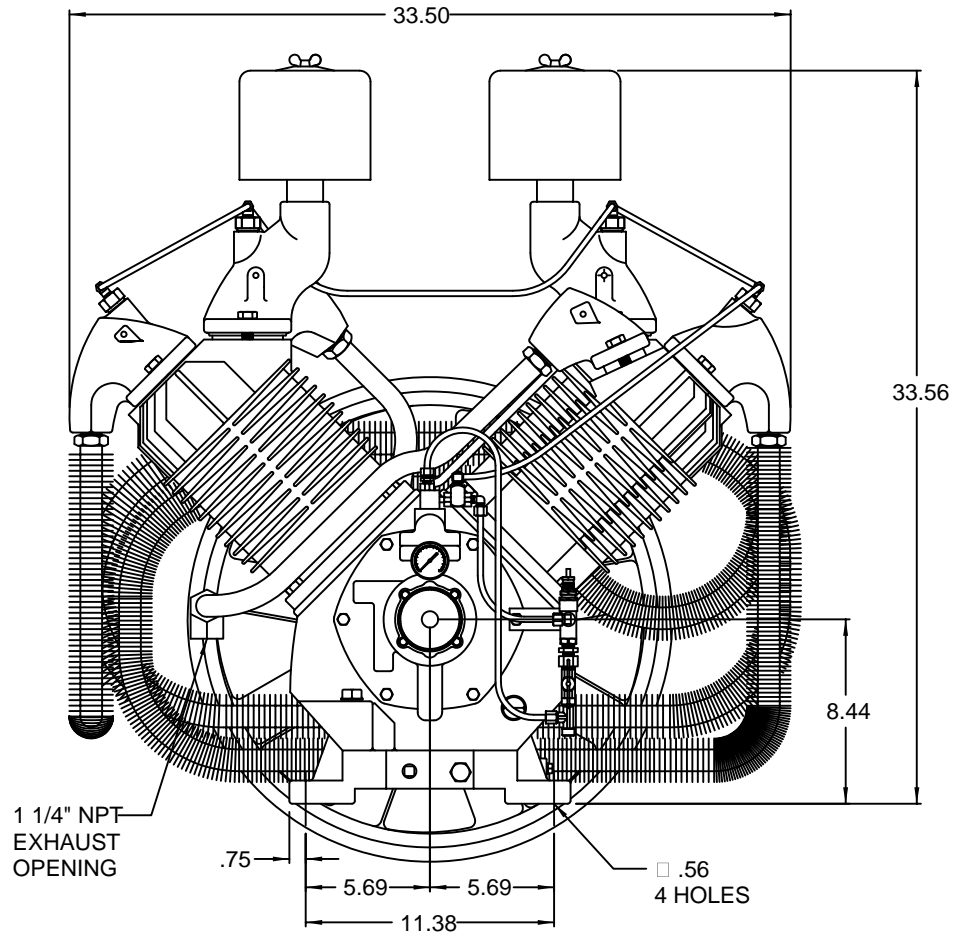


DD-B-1270

NOTES:

- 1..DO NOT SCALE PRINT, TYPICAL DIMENSIONS ONLY.
- 2..SPECIFICATIONS AND DIMENSIONS ARE SUBJECT TO CHANGE WITHOUT NOTICE OR OBLIGATION.
- 3..ALL DIMENSIONS IN INCHES.



NOTICE:

REFERENCE DRAWING ONLY MAY NOT INCLUDE SPECIFIC ACCESSORY ITEMS FOR ANY PARTICULAR ORDER.

CHAMPION - A GARDNER DENVER CO.

UNIT MODEL	PRINT NO.:
	DD-B-1270
PL70A PUMP	DRAWN BY: M.D.H.
	DATE: 12-11-96
	CHK'D BY:
	DATE: