

FLANGED (UNI DN125 -ANSI 6") ADAPTOR (2x)  
(SPECIAL VERSION ONLY)

160 [6.30]

2099 [82.63]

ELECTRICAL CABLE OUTLET

125 [4.92]

1956 [77.01]

29 [1.13]

AIR INLET DN 125 (5")  
(ANSI 150 - 6" = SPECIAL)

114 [4.49]

AIR OUTLET DN 125 (5")  
(ANSI 150 - 6" = SPECIAL)

135 [5.31]

1560 [61.42]

1420 [55.91]

1094 [43.08]

587 [23.11]

1285 [50.59]

1130 (only/solo A20)

752 [29.61]

135 [5.31]

1020 [40.16]

281 [11.06]

60 [2.36]

142 [5.59]

806 [31.73]

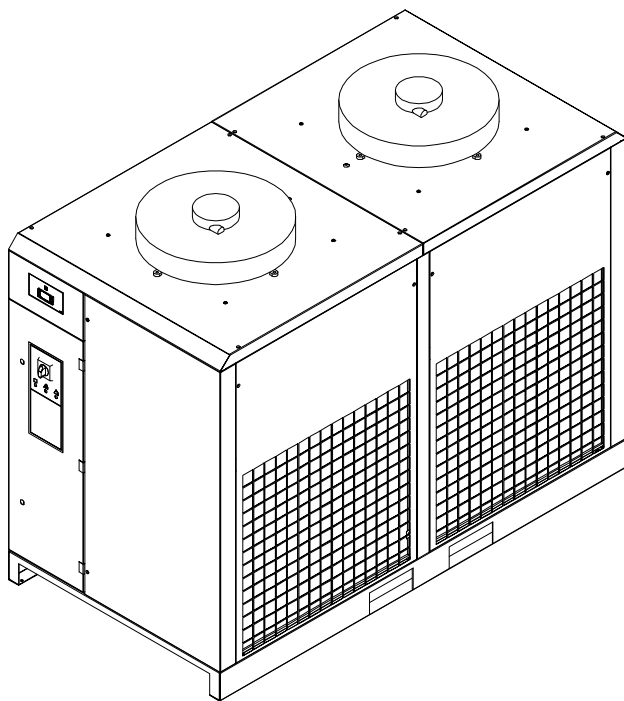
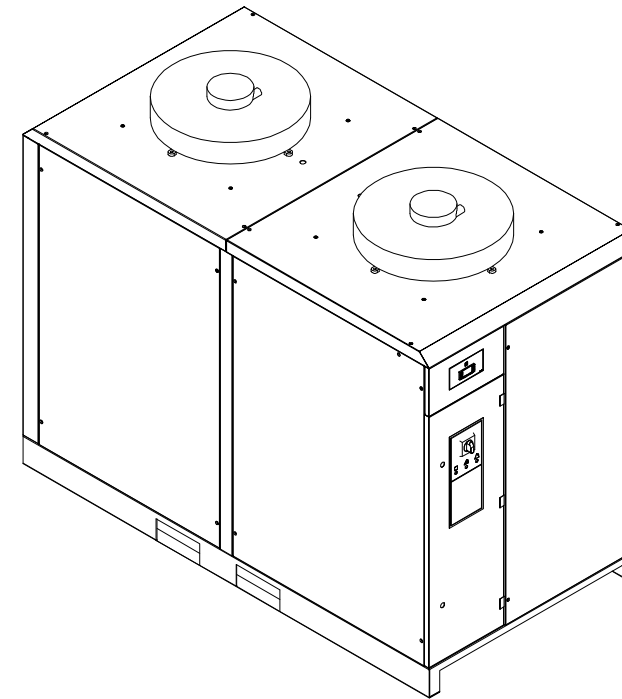
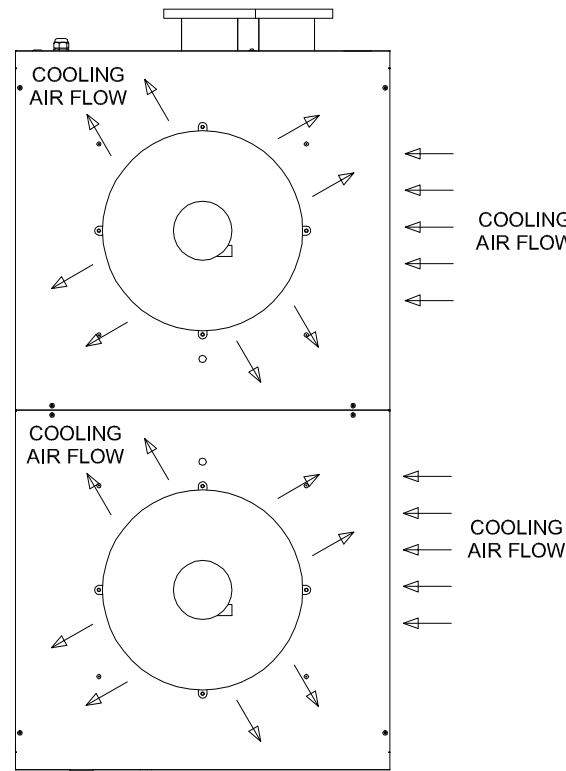
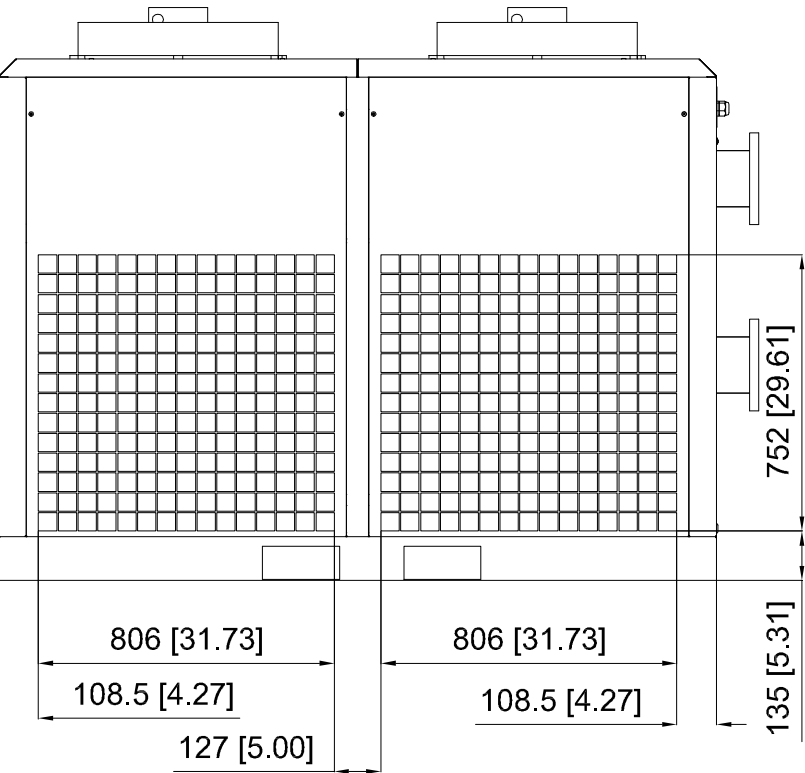
108.5 [4.27]

127 [5.00]

806 [31.73]

108.5 [4.27]

CONDENSATE DRAIN OUTLET  
PIPE INT.D.10mm / 0,39inch



ALL DIMENSIONS: mm [inch]



Benaming Name		DIMENS. PRODUCT			DRYERS 18-19-20 SLANT		Geheimh.klasse Secrecy Class		
Materiaal Material		NOT APPLICABLE					1102 K/ 2		
Behandeling Treatment		Not Applicable			CAD		Eigenaar Drawing owner		CAI
Schaal Scale		1:20		Familie Family		DRYERS		A3	
Getekend Drawn by		asavio		Ruw nr. Blank nr.		Vergelijk Compare		Vervangt Replaces	
Version Drwg		04		Ruw gew. Blank wt.		0 Kg		Afg gew. Fini wt.	
Des gez./chd.		Prod gez./chd.		Goedg./Appd.		Datum/Date		2007-07-03	
STATUS		Approved		Identificatie/Designation		Blad/Sheet ( )		01 01	
Nota Note		Position		Gewijzigd van Modified from		Datum Date		Ingev./Goedg. Intr./Appd.	
Parent 3D Model		Ed.Version 3D		2202 8738 00					

Dit document is onze eigendom en zal niet zonder toestemming worden gewijzigd, gereproduceerd, geüpload of verspreid. Dit document is our property and shall not without our permission be altered, copied, used for manufacturing or communicated to any other person or company.

04	UPDATED. CID.25592/12-08-14. DN14 0580 00.	2014-11-27	asavio			
Nota Note	Position	Gewijzigd van Modified from	Datum Date	Ingev./Goedg. Intr./Appd.	Parent 3D Model	Ed.Version 3D