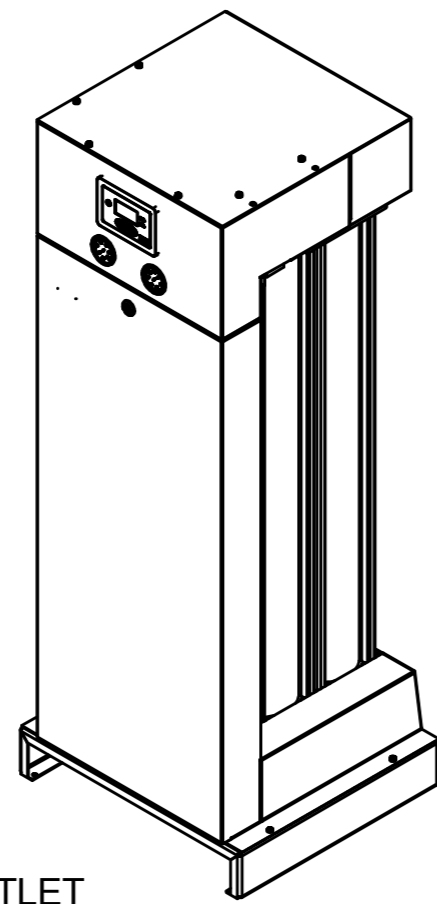
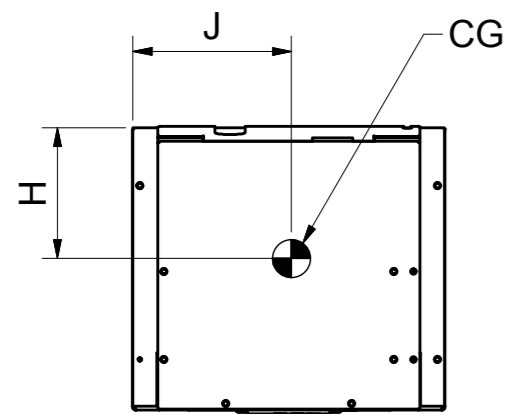
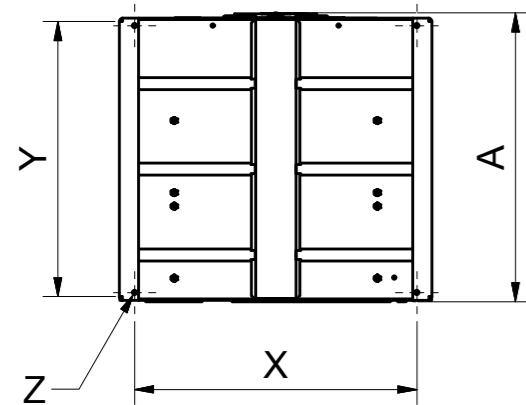
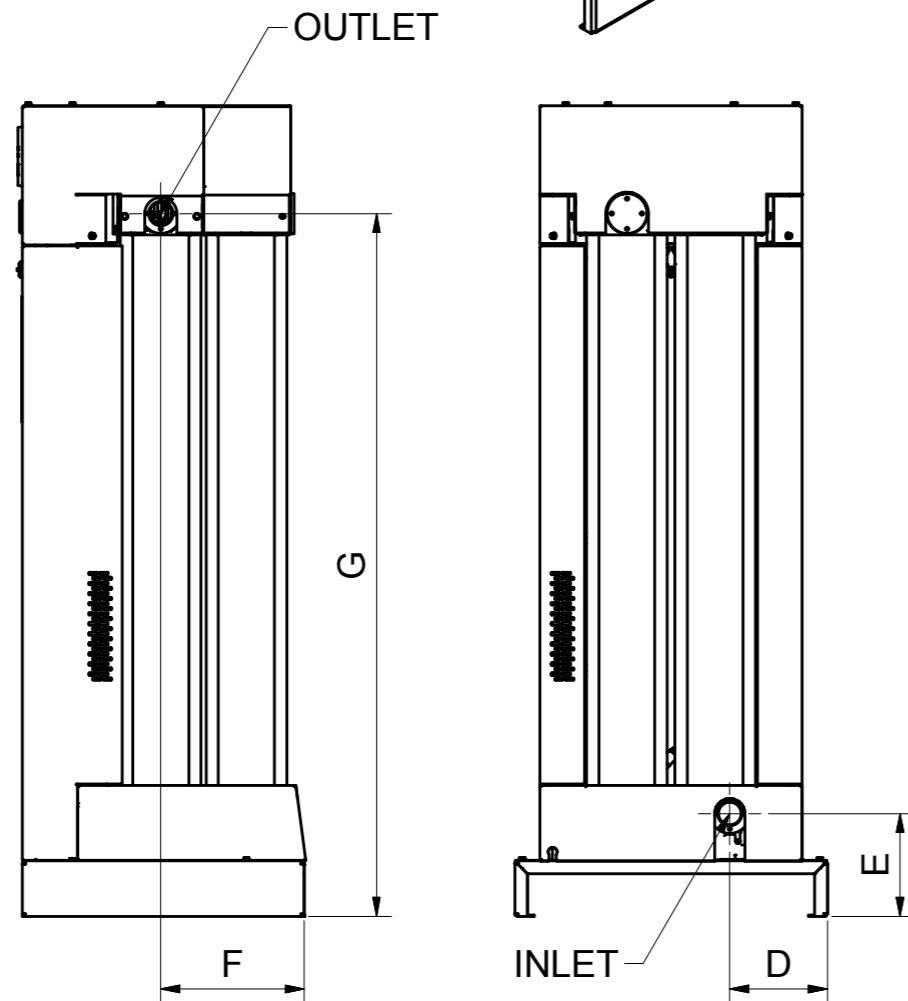
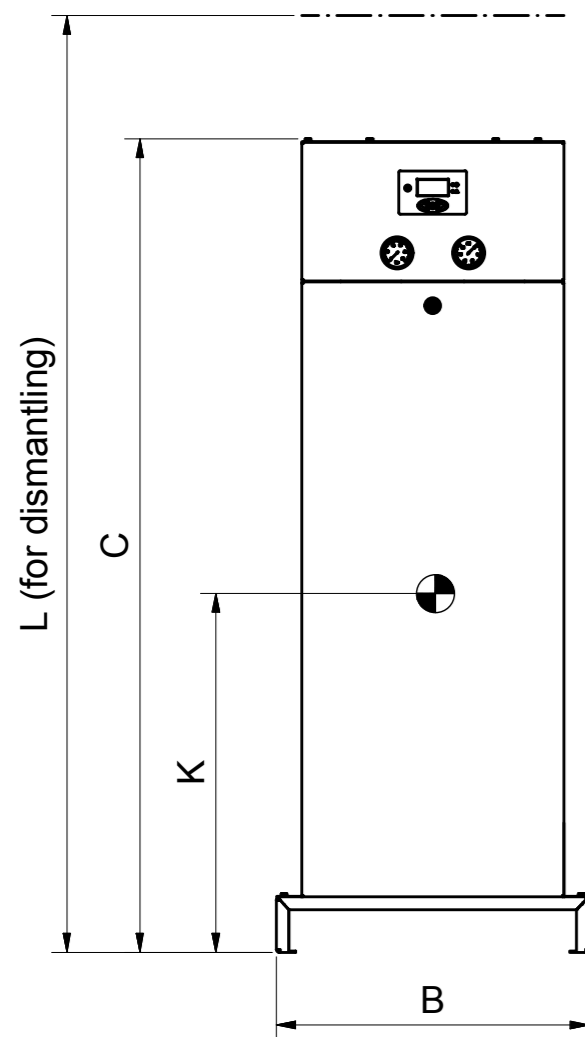


All materials supplied are in compliance with the requirements of the List of Prohibited Substances



Model	PDP	Mass	In - Out	A	B	C	D	E	F	G	H	J	K	L	X	Y	ØZ
QMD 55	-5 °F	192 lbs	NPT1/2" - NPT1/2"	15.79	24.41	42.13	7.64	8.03	4.53	33.46	6.42	12.36	19.53	51.97	22.05	14.17	0.35
QMD 75	-5 °F	192 lbs	NPT1/2" - NPT1/2"	15.79	24.41	42.13	7.64	8.03	4.53	33.46	6.42	12.36	19.53	51.97	22.05	14.17	0.35
QMD 95	-5 °F	194 lbs	NPT1/2" - NPT1/2"	15.79	24.41	43.9	7.64	8.03	4.53	35.24	6.46	12.4	20.16	53.54	22.05	14.17	0.35
QMD 120	-5 °F	218 lbs	NPT1" - NPT1"	15.79	24.41	50.59	7.64	8.03	4.53	41.93	6.42	12.36	23.07	60.24	22.05	14.17	0.35
QMD 140	-5 °F	251 lbs	NPT1" - NPT1"	15.79	24.41	57.68	7.64	8.03	4.53	49.02	6.42	12.36	26.42	67.32	22.05	14.17	0.35
QMD 190	-5 °F	273 lbs	NPT1" - NPT1"	15.79	24.41	63.58	7.64	8.03	4.53	54.92	6.3	12.4	29.25	73.23	22.05	14.17	0.35
QMD 230	-5 °F	364 lbs	NPT1 1/2" - NPT1 1/2"	22.48	24.41	50.59	7.64	8.03	11.22	41.93	9.53	12.36	22.83	60.24	22.05	20.87	0.35
QMD 275	-5 °F	434 lbs	NPT1 1/2" - NPT1 1/2"	22.48	24.41	57.68	7.64	8.03	11.22	49.02	9.61	12.36	26.42	67.32	22.05	20.87	0.35
QMD 350	-5 °F	465 lbs	NPT1 1/2" - NPT1 1/2"	22.48	24.41	63.58	7.64	8.03	11.22	54.92	9.49	12.28	28.9	73.23	22.05	20.87	0.35
QMD 420	-5 °F	602 lbs	NPT1 1/2" - NPT1 1/2"	29.06	24.41	57.68	7.64	8.03	17.91	49.02	12.8	12.32	26.22	67.32	22.05	20.87	0.35
QMD 550	-5 °F	657 lbs	NPT1 1/2" - NPT1 1/2"	29.06	24.41	63.58	7.64	8.03	17.91	54.92	12.68	12.28	28.98	73.23	22.05	27.56	0.35
QMD 55	-40 °F	192 lbs	NPT1/2" - NPT1/2"	15.79	24.41	42.13	7.64	8.03	4.53	33.46	6.42	12.36	19.53	51.97	22.05	14.17	0.35
QMD 75	-40 °F	194 lbs	NPT1/2" - NPT1/2"	15.79	24.41	43.9	7.64	8.03	4.53	35.24	6.46	12.4	20.16	53.54	22.05	14.17	0.35
QMD 95	-40 °F	218 lbs	NPT1/2" - NPT1/2"	15.79	24.41	50.59	7.64	8.03	4.53	41.93	6.42	12.36	23.07	60.24	22.05	14.17	0.35
QMD 120	-40 °F	251 lbs	NPT1" - NPT1"	15.79	24.41	57.68	7.64	8.03	4.53	49.02	6.42	12.36	26.42	67.32	22.05	14.17	0.35
QMD 140	-40 °F	273 lbs	NPT1" - NPT1"	15.79	24.41	63.58	7.64	8.03	4.53	54.92	6.3	12.4	29.25	73.23	22.05	14.17	0.35
QMD 190	-40 °F	364 lbs	NPT1" - NPT1"	22.48	24.41	50.59	7.64	8.03	11.22	41.93	9.53	12.36	22.83	60.24	22.05	20.87	0.35
QMD 230	-40 °F	434 lbs	NPT1 1/2" - NPT1 1/2"	22.48	24.41	57.68	7.64	8.03	11.22	49.02	9.61	12.36	26.42	67.32	22.05	20.87	0.35
QMD 275	-40 °F	465 lbs	NPT1 1/2" - NPT1 1/2"	22.48	24.41	63.58	7.64	8.03	11.22	54.92	9.49	12.28	28.9	73.23	22.05	20.87	0.35
QMD 350	-40 °F	540 lbs	NPT1 1/2" - NPT1 1/2"	22.48	24.41	75.39	7.64	8.03	11.22	66.73	9.41	12.28	34.65	85.04	22.05	20.87	0.35
QMD 420	-40 °F	657 lbs	NPT1 1/2" - NPT1 1/2"	29.06	24.41	63.58	7.64	8.03	17.91	54.92	12.68	12.28	28.98	73.23	22.05	27.56	0.35
QMD 550	-40 °F	723 lbs	NPT1 1/2" - NPT1 1/2"	29.06	24.41	75.39	7.64	8.03	17.91	66.73	12.91	12.28	36.61	85.04	22.05	27.56	0.35



Attention : 3rd angle projection is used

**NOTE:**  
- All dimensions in inches, unless otherwise stated

Tolerances, if not indicated, according to:							
ATLAS COPCO STANDARD CLASS							
Name	DIMENS. DRWG		QMD 55-550		Confidentiality Class acc. to 1102 K		
Material	See Drawing				Public		
Treatment	Not Applicable				INV		Drawing owner
	Scale	:-	Family	A2 Compare		API	
	Drawn by	AIR14759	Blank nr.	Replaces			
	Version Drwg		Blank wt	Kg	Fini wt.	143,110 kg	Designation
	STATUS	Released	Des checked.	Prod checked.	Approved.	Date	7/03/2017
	Parent 3D model	9827292200-M1	Ed . Version	3D		Sheet 1 / 1	
							<b>9827891102-02</b>

**CONFIDENTIAL:**  
This document is our property and shall not without our permission be altered, copied, used for manufacturing or communicated to any other person or company.

1			21/03/2017	User Agent
Ed	Position	Modified from	Date	Intr./Appd.